

COBRA

MODEL: RM4340VX (DYM191912)

RM43SP40VX (DYM192012)

COBRA LAWN MOWER OWNER'S MANUAL



WARNING!

When using the machine, the safety rules must be followed. Please read these instructions before operating the machine for your safety and bystanders. Please keep the instructions safe for later use.

Cobra Garden Machinery

Henton and Chattell Ltd., London Road, Nottingham NG2 3HW UK

CONTENT

SECTION 1 SYMBOLS MARKED ON THE PRODUCT	3
SECTION 2 GENERAL SAFETY RULES.....	5
SECTION 3 GENERAL IDENTIFICATION	10
SECTION 4 TECHNICAL DATA	11
SECTION 5 ASSEMBLY	12
SECTION 6 ADJUSTMENT OF CUTTING HEIGHT	15
SECTION 7 SAFETY PRECAUTIONS	16
SECTION 8 OPERATING INSTRUCTIONS.....	17
SECTION 9 BLADE.....	19
SECTION 10 MAINTENANCE AND CARE.....	20
SECTION 11 STORING THE MOWER.....	21
SECTION 12 TROUBLESHOOTING.....	22
SECTION 13 WARRANTY	23
SECTION 14 ENVIRONMENTALLY FRIENDLY DISPOSAL.....	23
SECTION 15 EC-DECLARATION OF CONFORMITY.....	24

KNOW YOUR LAWN MOWER

Read this manual carefully, observing the recommended safety instructions before, during, and after lawn mower use. These instructions will also keep your lawn mower in good working order. Familiarize yourself with the controls on your mower before attempting to operate it, but above all, be sure you know how to stop your mower in an emergency. Retain this user manual and all other literature with your mower for future reference.

INTENDED USE

The equipment may only be used for the tasks it is designed to handle. Any other use is deemed to be misuse. The user/operator, not the manufacturer, will be liable for any damage or injuries of any kind caused as a result of this.

The cordless lawn mower is intended for private use i.e. for use in home and gardening environments. Private use of the lawn mower refers to an annual operating time generally not exceeding of 50 hours, during which time the machine is primarily used to maintain small-scale residential lawns and home/domestic gardens. This product is not intended for commercial use or for mowing public facilities, sports fields, or agricultural/forestry applications.

The warranty will be voided if the machine is used in commercial, trade or industrial businesses or for equivalent purposes.

1. SYMBOLS MARKED ON THE PRODUCT



Read this instruction book carefully before using the lawn mower and keep it in a safe place for future reference.



Keep bystanders away.



Beware of sharp blades. Blades continue to rotate after the motor is switched off.

Switch off battery before adjusting, cleaning and before leaving the product unattended for any period.



Electric shock hazard.



Do not operate on inclines greater than 15. Mow across the face of slopes, never up and down.



Do not expose to rain or damp conditions.



Wait until all machine components have completely stopped before touching them.



The charger is intended for indoor use only.



Wear hearing and eye protection



The machine is protected against ingress of water drop from vertical direction



Guaranteed sound power level value in 93 dB.



WEEE Marking

CAUTION! Unusable power tools do not belong to domestic waste. They must be taken to a communal collecting point for environmentally friendly disposal in accordance with local regulations.



Keep hands and feet away

Battery Disposal:

Dispose of old batteries according to applicable legislations instead of household waste

Take unusable rechargeable batteries to the dealer's or community's battery collection point.

Disposing of the packaging:

Dispose of packaging in your local recycling centre. Cardboard, paper and foil are suitable for recycling.

Battery packs/batteries:



■ Li-Ion

Do not throw batteries into household waste, water, or fire. Dispose of them correctly at a designated recycling centre.

Only for EC countries:

Defective or dead batteries must be recycled according to the directive 2006/66/EC



SAFETY ALERT SYMBOL: Indicating caution or warning, use this marking in conjunction with other symbols or pictures

2. GENERAL SAFETY RULES

WARNING:

Read all safety warnings, instructions, illustrations and specifications provided with this power tool. Following the warnings and instructions is a critical factor in avoiding an electric shock, fire and/or serious injury.

Save all warnings and instructions for future reference.

The term “power tool” in the warnings refers to a mains-operated (corded) power tool or battery-operated (cordless) power tool.



WARNING : **Read all safety warnings, instructions, illustrations and specifications provided with the power tool.** Failure to follow the warnings and instructions may result in electric shock, fire and/or serious injury.

2.1 WORK AREA SAFETY

- a) **Keep the work area clean and well-lit.** Cluttered or dark areas invite accidents.
- b) **Do not operate power tools in explosive atmospheres, such as in the presence of flammable liquids gases or dust.** Power tools create sparks which may ignite the dust or fumes
- c) **Keep children and bystanders away while operating a power tool.** Distractions can cause you to lose control.

2.2 ELECTRICAL SAFETY

- a) **Power tool plugs must match the outlet. Never modify the plug or use adapter plugs with earthed (grounded) power tools.** Unmodified plugs and matching outlets will reduce the risk of electric shock.
- b) **Avoid body contact with earthed or grounded surfaces, such as pipes, radiators, ranges and refrigerators.** There is an increased risk of electric shock if your body is earthed or grounded.
- c) **Do not expose power tools to rain or wet conditions.** Water entering a power tool will increase the risk of electric shock.

- d) **Do not abuse the cord. Never use it for carrying, pulling, or unplugging the power tool. Keep the cord away from heat, oil, sharp edges, or moving parts.** Damaged or entangled cords increase the risk of electric shock.
- e) **When operating a power tool outdoors, use an extension cord suitable for outdoor use.** This reduces the risk of electric shock.
- f) **If operating a power tool in a damp location is unavoidable, use a residual current device (RCD) protected supply.** An RCD reduces the risk of electric shock.

2.3 PERSONAL SAFETY

- a) **Stay alert, watch what you are doing and use common sense when operating a power tool. Do not use a power tool while you are tired or under the influence of drugs, alcohol or medication.** A moment of distraction while operating power tools may result in serious personal injury.
- b) **Use personal protective equipment. Always wear eye protection.** Protective equipment such as dust masks, non-skid safety shoes, hard hats, or hearing protection used for appropriate conditions will reduce personal injuries.
- c) **Prevent unintentional starting. Ensure the switch is in the off-position before connecting to a power source and/or battery pack, picking up or carrying the tool.** Carrying power tools with your finger on the switch or energizing power tools that have the switch on invites accidents.
- d) **Remove any adjusting key or wrench before turning the power tool on.** A wrench or a key left attached to a rotating part of the power tool may result in personal injury.
- e) **Do not overreach. Keep proper footing and balance at all times.** This enables better control of the power tool in unexpected situations.
- f) **Dress properly. Do not wear loose clothing or jewellery. Keep your hair, clothing and gloves away from moving parts.** Loose clothes, jewellery or long hair, can be caught in moving parts.
- g) **If devices are provided for the connection of dust extraction and collection facilities, ensure these are connected and properly used.** The use of dust collection can reduce dust-related hazards.
- h) **Do not let familiarity gained from frequent use of tools allow you to become complacent and ignore tool safety principles.** A careless action can cause severe injury within a fraction of a second.

2.4 POWER TOOL USE AND CARE

- a) **Do not force the power tool. Use the correct power tool for your application.** The correct power tool will do the job better and safer at the rate for which it was designed.
- b) **Do not use the power tool if the switch does not turn on and off.** Any power tool that cannot be controlled with the switch is dangerous and must be repaired.
- c) **Disconnect the plug from the power source and/or the battery pack from the power tool before making any adjustments, changing accessories, or storing power tools.** Such preventive safety measures reduce the risk of starting the power tool accidentally.

- d) **Store idle power tools out of the reach of children and do not allow persons unfamiliar with the power tool or these instructions to operate the power tool.** Power tools are dangerous in the hands of untrained users.
- e) **Maintain power tools. Check for misalignment or binding of moving parts, breakage of parts, and any other condition that may affect the power tool's operation. If damaged, have the power tool repaired before use. Poorly maintained power tools cause many accidents.**
- f) **Keep cutting tools sharp and clean.** Properly maintained cutting tools with sharp cutting edges are less likely to bind and are easier to control.
- g) **Use the power tool, accessories, tool bits, etc., in accordance with these instructions, taking into account the working conditions and the work to be performed. Using the power tool for operations other than those intended could result in a hazardous situation.**
- h) **Keep handles and grasping surfaces dry, clean and free from oil and grease.** Slippery handles and grasping surfaces do not allow for safe handling and control of the tool in unexpected situations.

2.5 BATTERY TOOL USE AND CARE

- a) **Recharge only with the charger specified by the manufacturer.** A charger that is suitable for one type of battery pack may create a risk of fire when used with another battery pack.
- b) **Use power tools only with specifically designated battery packs.** Use of any other battery packs may create a risk of injury and fire.
- c) **When the battery pack is not in use, keep it away from other metal objects, like paper clips, coins, keys, nails, screws or other small metal objects, that can make a connection from one terminal to another.** Shorting the battery terminals together may cause burns or a fire.
- d) **Under abusive conditions, liquid may be ejected from the battery; avoid contact. If contact accidentally occurs, flush with water. If liquid contacts the eyes, additionally seek medical help.** Liquid ejected from the battery may cause irritation or burns.
- e) **Do not use a battery pack or tool that is damaged or modified.** Damaged or Modified batteries may exhibit unpredictable behaviour resulting in fire, explosion or risk of injury.
- f) **Do not expose a battery pack or tool to fire or excessive temperature.** Exposure to fire or temperature above 130 °C may cause an explosion.
- g) **Follow all charging instructions, and do not charge the battery pack or tool outside the specified temperature range.** Charging improperly or at temperatures outside the specified range may damage the battery and increase the fire risk.

2.6) SERVICE

- a) **Have a qualified repair person service your power tool using only identical replacement parts.** This will ensure its safety.

b) **Never service damaged battery packs.** Battery pack service should only be performed by the manufacturer or authorized service providers.

2.7) LAWNMOWER SAFETY WARNINGS

a) **Do not use the lawnmower in bad weather conditions, especially when there is a risk of lightning.** This decreases the risk of being struck by lightning.

b) **Thoroughly inspect the area where the lawnmower is to be used for wildlife. The lawnmower may injure wildlife** during operation.

c) **Thoroughly inspect the area where the lawnmower will be used and remove all stones, sticks, wires, bones, and other foreign objects.** Thrown objects can cause personal injury.

d) **Before using the lawnmower, always visually inspect to see whether the blade and the blade assembly are worn or damaged.** Worn or damaged parts increase the risk of injury.

e) **Before use, check the supply cord and any extension cord for signs of damage or ageing. Do not use the lawnmower if the cord is damaged or worn.** If the cord is damaged or worn during use, switch off the lawnmower and do not touch it before disconnecting it from the supply. A damaged supply cord or extension cord may result in electric shock, fire, and/or serious injury.

f) **Check the grass catcher frequently for wear or deterioration.** A worn or damaged grass catcher may increase the risk of personal injury.

g) **Keep guards in place. Guards must be in working order and properly mounted. A loose, damaged, or not functioning correctly guard** may result in personal injury.

h) **Keep all cooling air inlets clear of debris.** Blocked air inlets and debris may result in overheating or risk of fire.

i) **While operating the lawnmower, always wear non-slip and protective footwear.** Do not operate the lawnmower when barefoot or wearing open sandals. This reduces the chance of foot injury from contact with the moving blade.

j) **While operating the lawnmower, always wear long trousers.** Exposed skin increases the likelihood of injury from thrown objects.

k) **Do not operate the lawnmower in wet grass. Walk and never run.** This reduces the risk of slipping and falling, possibly resulting in personal injury.

l) **Do not operate the lawnmower on excessively steep slopes.** This reduces the risk of losing control, slipping and falling, which may result in personal injury.

m) **When working on slopes, always be sure of your footing, always work across the face of slopes, never up or down and exercise extreme caution when changing direction.** This reduces the risk of loss of control, slipping and falling, which may result in personal injury.

n) **Use extreme caution when reversing or pulling the lawnmower towards you.** Always be aware of your surroundings. This reduces the risk of tripping during operation.

o) **Keep the supply cord away from the cutting blades.** A damaged supply cord may result in electric shock, fire and/or serious injury.

p) **Switch off and remove the plug from the mains if the cord is entangled or damaged.** Entangled or damaged cords can increase the risk of electric shock.

q) **Do not touch blades and other hazardous moving parts while they are still in motion.** This reduces the risk of injury from moving parts.

r) **When clearing jammed material or cleaning the lawnmower, ensure all power switches are off and the power cord is disconnected.** Unexpected operation of the lawnmower may result in serious personal injury.

2.8 SAFETY ADVICE FOR RECHARGEABLE BATTERY AND CHARGER

- a) Use only the battery and charger provided with the lawn mower.
- b) Protect battery and battery charger from humidity.
- c) Do not operate the charger outdoors.
- d) Disconnect the battery charger from the power supply when it is not in use or before cleaning and servicing.
- e) Take special care of the battery. Avoid dropping it onto any hard surface, and do not subject it to pressure or any other form of mechanical stress. Keep the battery away from extreme heat and cold.
- f) Do not open or attempt to repair the battery or the battery charger. If any parts are defective, have them repaired by a qualified technician or send them to our service department for repair.
- g) Only charge the battery at an ambient (surrounding air) temperature between 4°C and +40°C.
- h) A charged battery can power the machine under ambient temperature conditions between 0°C and +40°C.
- i) When not used, store the battery in a dry place between 10°C and 30°C.

The battery should be recharged when it fails to produce sufficient power for jobs that were previously easy to do. DO NOT CONTINUE using this product with its battery in a depleted condition.

The battery is not fully charged at the factory. It must be fully charged before attempting to use it.



Important! Danger!

Never short-circuit the battery or expose it to moisture. Do not store it together with any metal parts that could short-circuit the contacts. The battery could overheat, burn, or explode.

If any person comes into contact with acid or similar internal fluids or substances contained in the battery, wash off these substances immediately with plenty of water. If these substances contact the eyes, rinse with plenty of water and visit a doctor immediately.



WARNING!

Do not throw the rechargeable battery into a fire or water, as it will explode. Whether used or unused, it should not be discarded in domestic refuse. You should return it to a local battery collection point in accordance with Battery Regulations or to the dealer suitably marked “Used Battery.”

3. GENERAL IDENTIFICATION

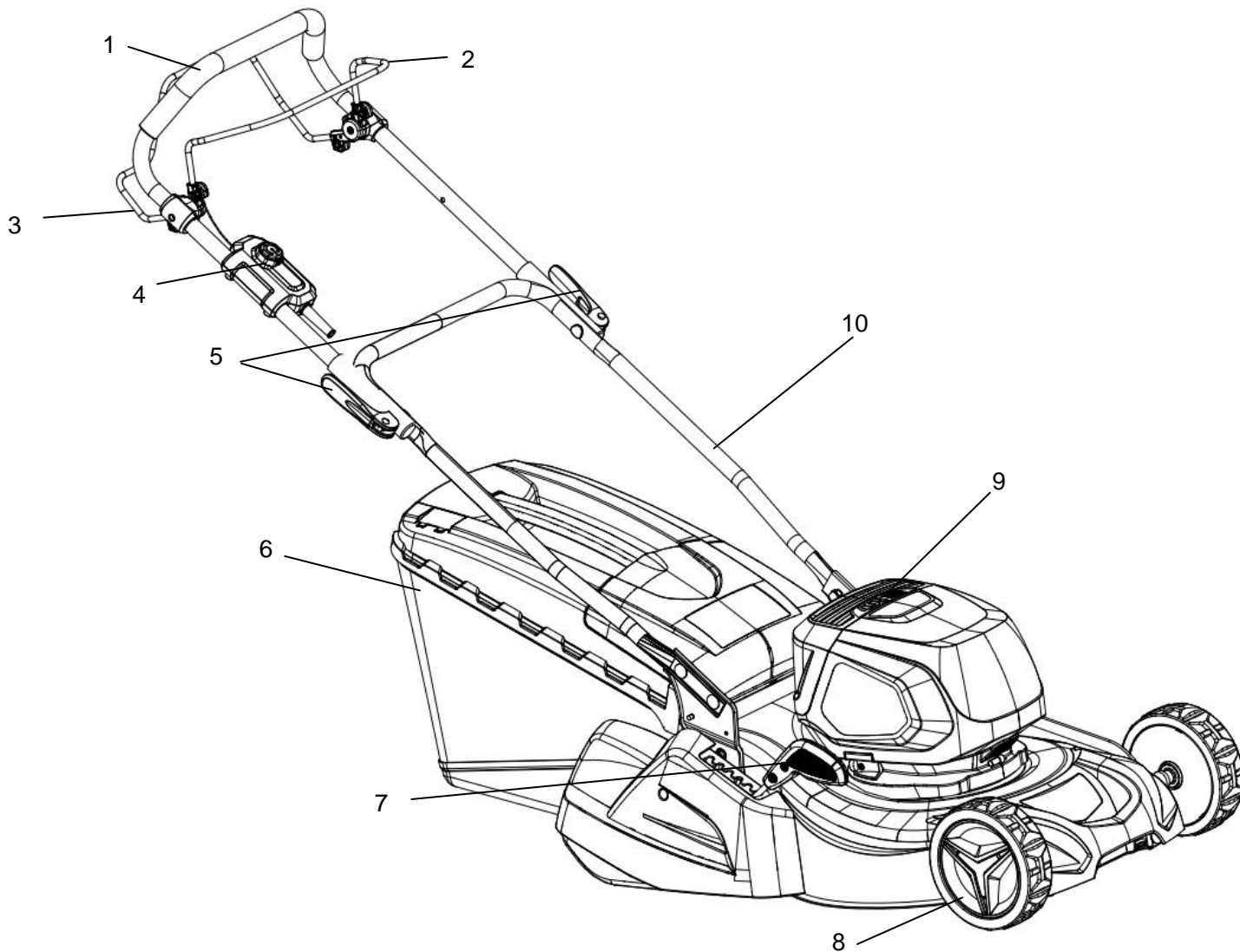


Fig.1A (RM43SP40VX DYM192012)

- | | | | |
|------------------|-------------------------|--|----------------------------|
| 1. Upper handle | 2. Brake control handle | 3. Self-propelled control handle (RM43SP40VX only) | |
| 4. On-off button | 5. Locking lever | 6. Grass catcher | 7. Height adjustment lever |
| 8. Wheel | 9. Battery door | 10. Lower handle | |

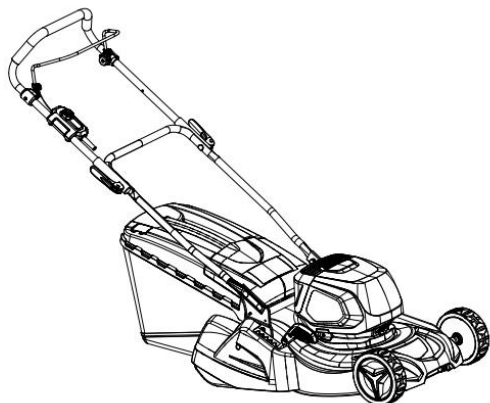


Fig.1B (RM4340VX DYM191912)

4. TECHNICAL DATA

Model:	RM42SP40VX (DYM192012)	RM4340VX (DYM191912)
Rated Speed:	4400/min	4400/min
Rated Voltage:	40V d.c.	
Grass Catcher Capacity	45 L	
Cutting Width:	445 mm	
Net Weight:	27.5kg	25.3kg
Height Adjustment :	25-75mm, 6 positions	
Sound pressure level at the operators position	78.2 dB(A) K=3 dB(A)	
Measured sound power level	89.3 dB(A) K=1.84 dB(A)	
Guaranteed Sound Power level	93dB(A)	
Vibration	1.601 m/s ² K=1.5 m/s ²	

Battery pack	MWA712	MWA713	MWA562	MWA563	MWA564
Voltage	20V d.c.	20V d.c.	40V d.c.	40V d.c..	40V d.c.
Battery capacity	2.0Ah/36Wh	2.5Ah/45Wh	2.0Ah/72Wh	2.5Ah/90Wh	4.0Ah/144Wh
Compatible charger	MWA703		MWA704		MWA705
Charger input	220-240VAC,50/60Hz,0.5A		220V-240V~,50/60Hz,1A		220V-240V~,50/60Hz,1.2A
Output	20V d.c.,1A		20V d.c.,2A		20V d.c.,4A
Allowable charging temperature range	4-40°C				

NOISE and Vibration

The declared vibration total value and the declared noise emission value have been measured in accordance with a standard test method and may be used for comparing one tool with another.

The declared vibration total value and the declared noise emission value may also be used in a preliminary assessment of exposure.

WARNING: The vibration and noise emissions during actual use of the power tool can differ from the declared value depending on the lawn and ground conditions. Other conditions:

The tool being in good condition and well maintained.

The use of the correct accessory for the tool and ensuring it is sharp and in good condition.

The tightness of the grip on the handles and if any anti vibration and noise accessories are used.

And the tool is being used as intended by its design and these instructions.

This tool may cause hand-arm vibration syndrome if its use is not adequately managed.

WARNING: To be accurate, an estimation of exposure level in the actual conditions of use should also take account of all parts of the operating cycle such as the times when the tool is switched off and when it is running idle but not actually doing the job. This may significantly reduce the exposure level over the total working period.

Helping to minimise your vibration and noise exposure risk.

Always use sharp and balanced blades.

Maintain this tool in accordance with these instructions and keep well lubricated (where appropriate).

If the tool is to be used regularly then invest in anti vibration and noise accessories.

Plan your work schedule to spread any high vibration tool use across a number of days.

5. ASSEMBLY

5.1 ASSEMBLE THE FOLDING HANDLE

1. Pivot the lower handle from storage position to the working position and fix the lower handle with bolts.(Fig.2A)
2. Push the locking knob closed to lock the handlebars in the operating position. (Fig. 2B)
3. Attach the cable clamp to the position shown and then attach the cable. (Fig.2B)

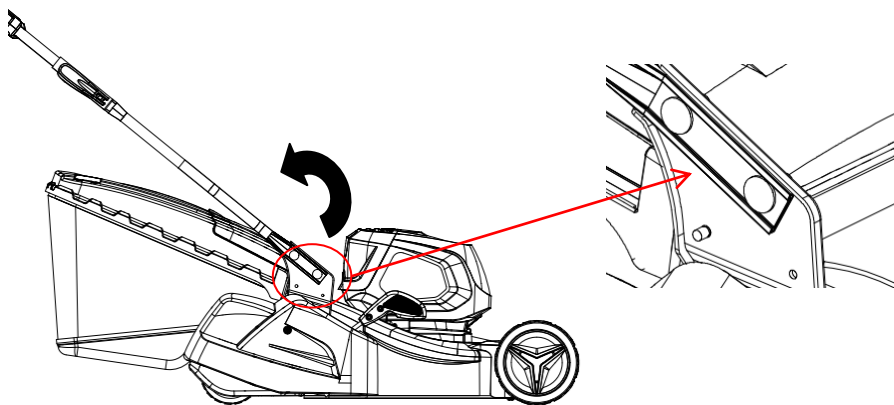


Fig.2A

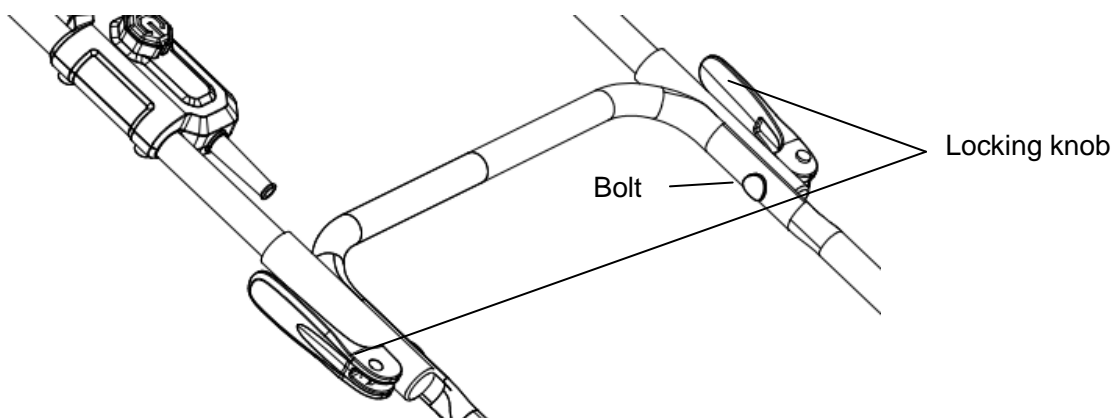


Fig. 2B

5.2 MOUNTING AND DISMOUNTING THE GRASS CATCHER

Assemble the handle into the grass catcher

Insert one end with a projection into the grass catcher, and then fixed another end of the handle onto the grass catcher by tightening the screw inside. (Fig.3A/ Fig.4B/Fig.3C)

1. To fit: Raise the rear cover and hitch the grass catcher on rear of mower. (Fig.3D/ Fig. 3E)
2. To remove: grasp and lift the rear cover, remove the grass catcher.

There is a level indicator on the top of the grass catcher that shows whether the catcher is empty or full:

- The level indicator will be opened if the catcher is not full during the mowing. (Fig. 3F)
- If the catcher is full, the indicator will be closed. Once this happens, stop mowing immediately and empty the catcher, making sure it is clean and its meshwork is ventilated. (Fig. 3G)

IMPORTANT:

If the position of indicator opening is very dirty, the indicator will not be closed. In this case you should clean the indicator opening.

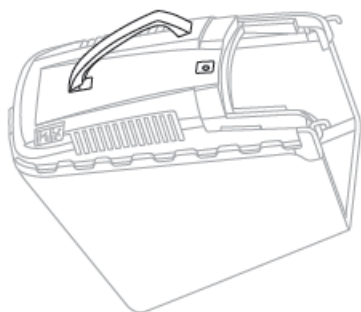


Fig. 3A

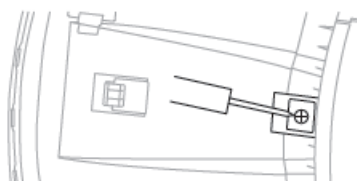


Fig. 3B

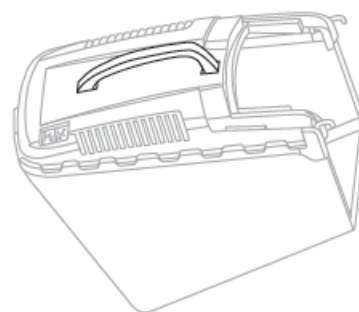


Fig.3C

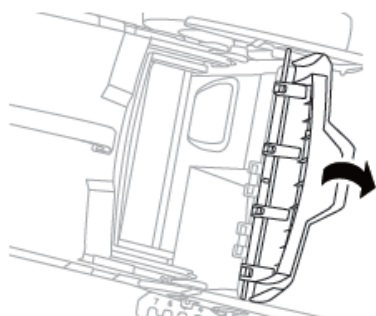


Fig. 3D

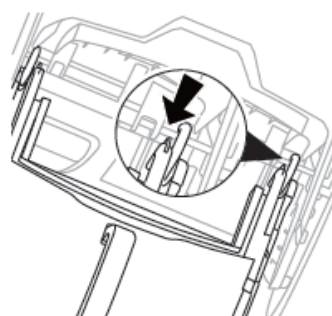


Fig. 3E



Fig. 3F



Fig. 3G

5.4 INSERTING THE BATTERY

1. Open the battery door. (Fig. 4A)
2. Insert the battery pack into battery holder. (Fig. 4B)
3. Make sure the latch on bottom of battery pack snaps in place and that battery pack is fully seated.
4. Close the battery door.

NOTE: Depending on the battery pack, you should choose different combinations. If you choose MWA712 or MWA713, you need to insert two battery pack to start the machine. If you choose MWA562, MWA563 and MWA564, you need to insert one pack to start the machine.

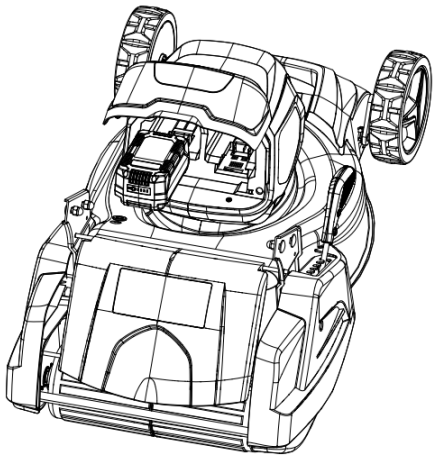


Fig.4A

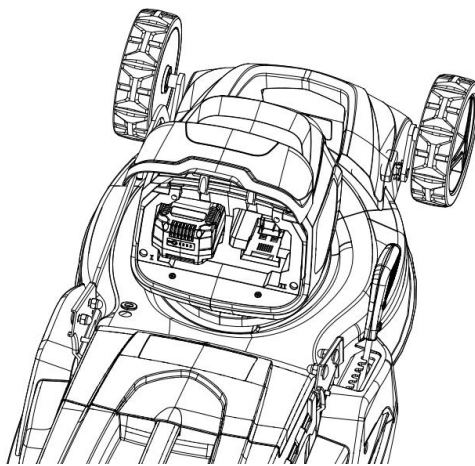


Fig.4B

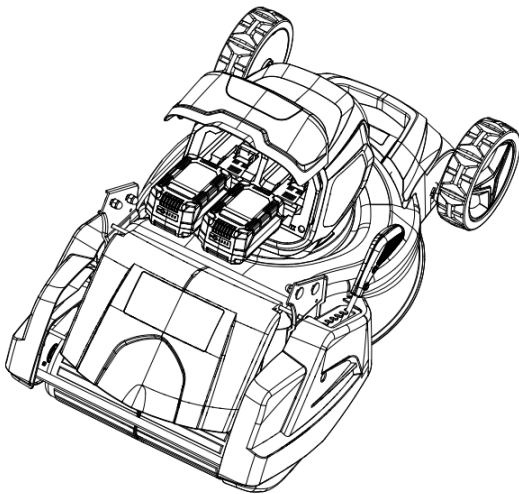


Fig. 4C

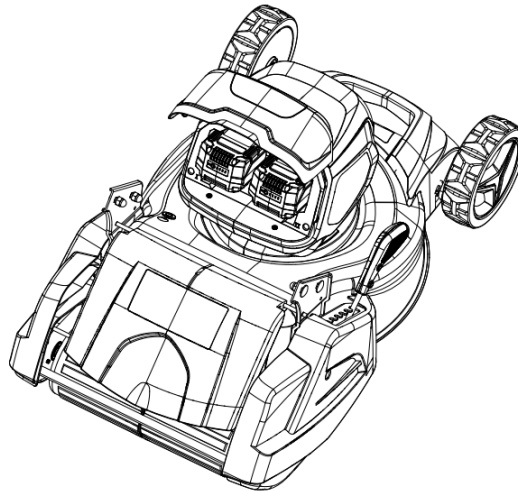


Fig. 4D

5.5 REMOVE THE BATTERY

1. Lift and hold up the battery door.
3. Depress the battery-release button. (Fig.5A)
4. Remove battery pack from the mower. (Fig.5B)

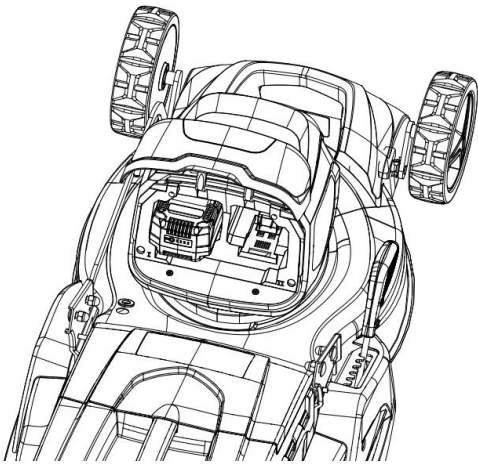


Fig.5A

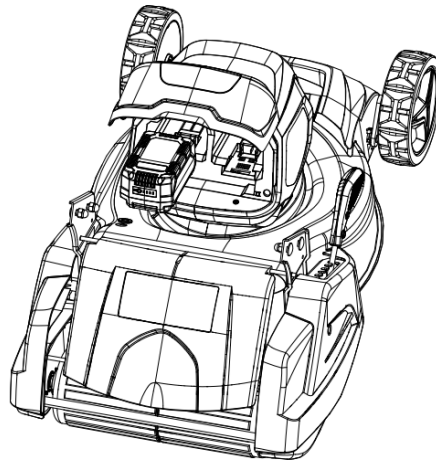


Fig.5B

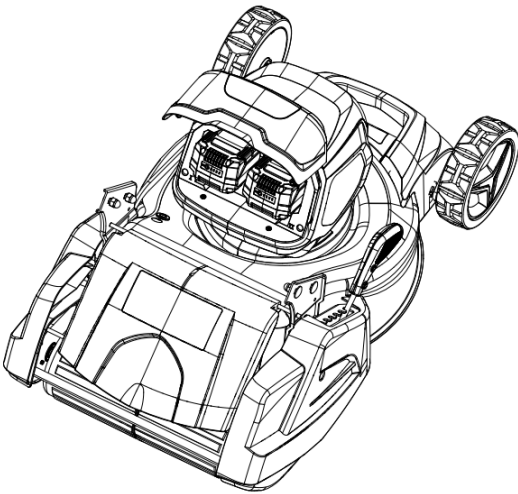


Fig. 5C

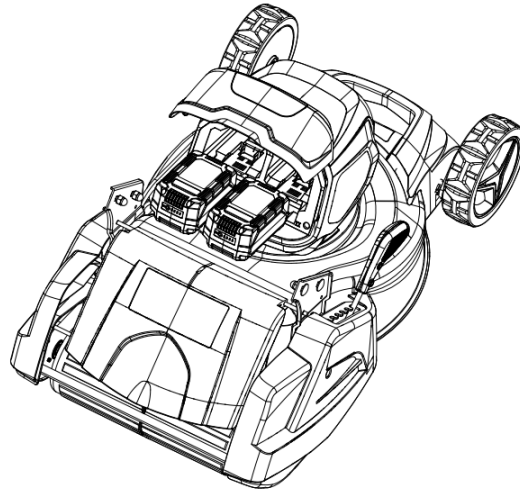


Fig. 5D

6. ADJUSTMENT OF CUTTING HEIGHT

Apply outward pressure to disengage the lever from the rack. Move the lever forward or backward to adjust the height. The height (the blade to the ground) can be adjusted from 20mm (position 1) to 75mm (position 6), 6 height positions.

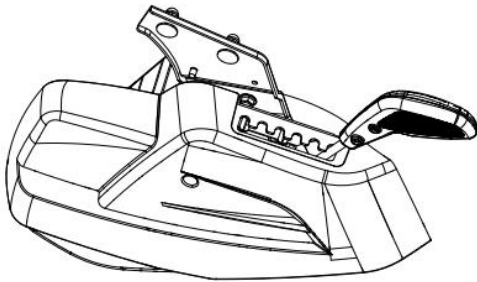


Fig.6

 **WARNING:** Make this adjustment only when the blade is stopped.

7. SAFETY PRECAUTIONS

1. Always operate the mower with the deflector or grass catcher in the correct position.
2. Always stop the motor before removing the grass catcher or adjusting the height of cutting position.
3. Before mowing, remove all foreign objects from the lawn which may be thrown by the machine. While mowing, stay alert for any foreign objects which may have been missed. (Fig. 7A)
4. Never lift the rear of the mower while starting the motor or during normal operation. (Fig. 7B)
5. Never place your hands or feet underneath the deck while the motor is running. (Fig. 7C)



Fig. 7A

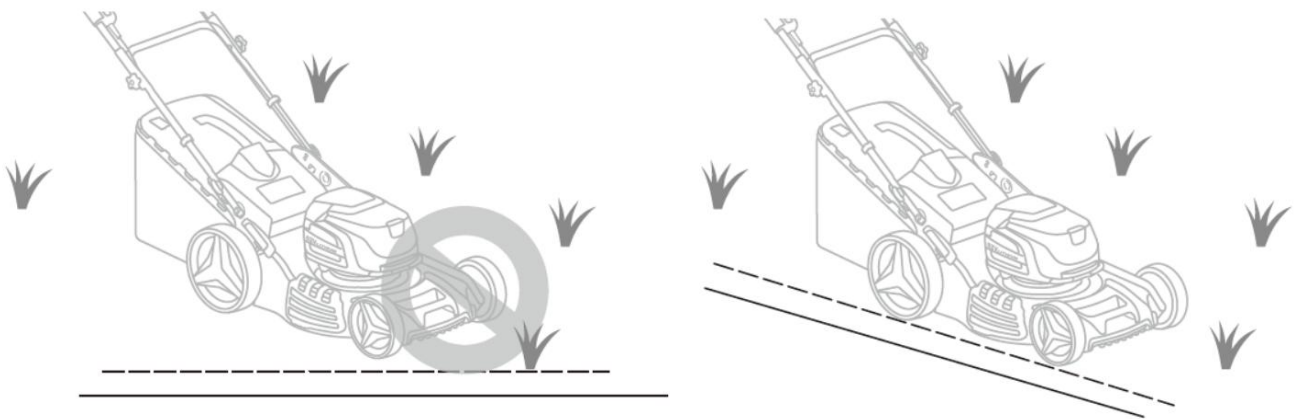


Fig. 7B

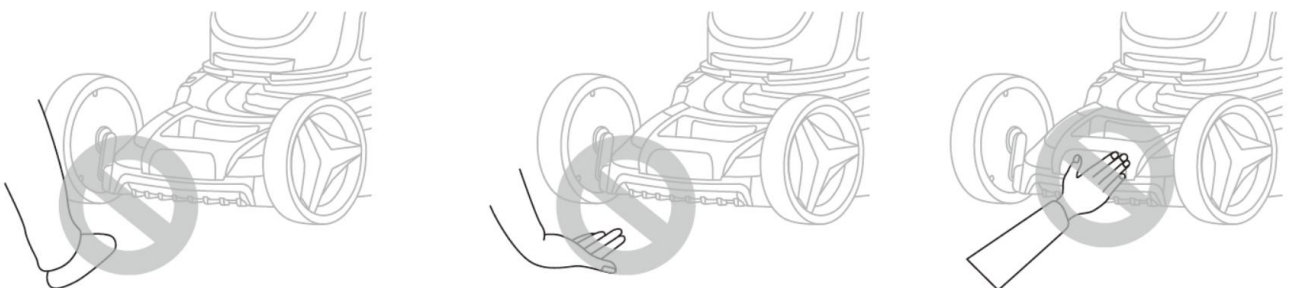


Fig. 7C

8. OPERATING INSTRUCTIONS

8.1 Starting

Start the motor as follows:

1. Ensure the battery is seated well.
2. Press the On-off button. (Step.1)
3. Grasp and hold the brake control handle, and then release on-off button (Step.2). The mower will start.

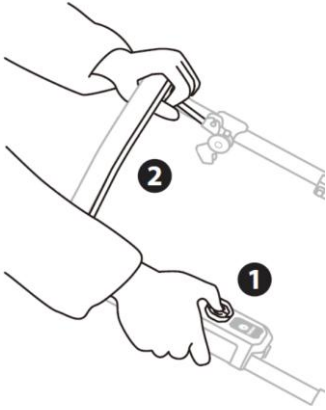


Fig. 8

CAUTION! The blade starts to rotate as soon as the motor is started.

WARNING! Cutting elements continue to rotate after the motor is switch off.

8.2 Stopping

Fully releasing the brake control handle, the blade will stop in 3 seconds.

8.3 Engaging Self-Propelled (Only for model RM43SP40VX DYM192012)

Grasp and hold the self-propelled control handle, and the lawnmower will move forward at a speed of about 3.4 km/h. Release the self-drive handle, and the lawnmower will stop.



Fig. 9

CAUTION: your mower is designed to cut normal residential grass of a height no more than 250mm.

Do not attempt to mow through unusually tall dry or wet grass (e.g. pasture) or piles of dry leaves.

8.4 Charging the battery

1. Insert the battery into the latch of the charger.
2. Connect the plug of the charger to a suitable socket outlet.
3. Charge the battery until it is fully charged. The charge level indicator light will show a steady green light when the battery is fully charged.

⚠ CAUTION: The battery should be fully charged before using for the first time.

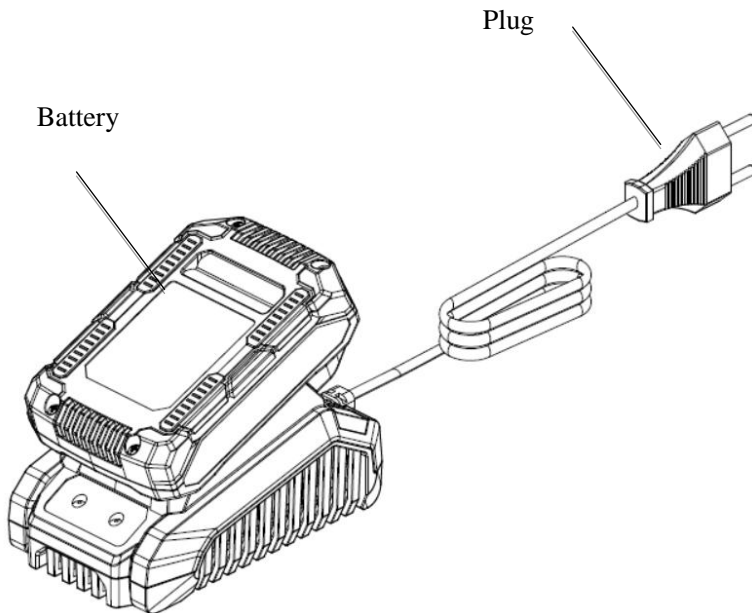


Fig. 10

8.5 Indicator status

Press the button to check the status of these charge level indicators on the battery pack, which indicates the battery capacity.

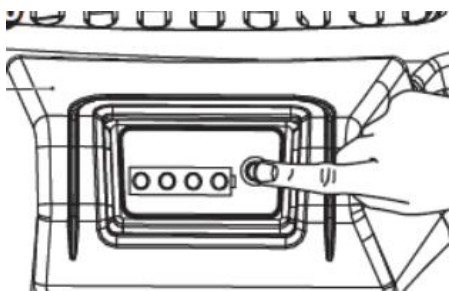


Fig. 11


Indicator status and corresponding meanings

Indicator status	Charge level
Four green lights	75-100%
Three green lights	50-75%
Two green lights	25-50%
One green light	0-25%

Note: Charge the battery fully until all the indicator lights are illuminated.

8.6 FOR THE BEST RESULTS WHEN MOWING

1. Moderate your mowing speed. Walking too fast will reduce the effectiveness of the collection or mulching.
2. Do not cut the grass too short. Short grass invites weed growth and yellows quickly in dry weather.
3. Under certain conditions, it may be necessary to go back over the cut area once again to get a clean cut.
4. DO NOT attempt to mow heavy brush, weeds and extremely tall grass. Your mower is designed to mow lawns, NOT brush, vegetation or weeds.
5. Keep the blade sharp and replace the blade when worn.
6. Make sure the lawn is clear of stones, sticks, wires, toys, tree nuts, tree branches, and other objects that could damage the lawn mower blade or motor. Do not mow over property stakes or other metal posts. Such objects could damage the blade or be accidentally thrown by the mower in any direction and cause serious personal injury to the operator and others.
7. To gain a healthy lawn, always cut off one-third or less of the total length of the grass.
8. When cutting heavy grass, reduce speed to achieve more effective cutting and more effective collection of clippings.
9. Do not cut wet grass. It will stick to the underside of the deck.
10. New or thick grass may require a narrower cut or a higher cutting height.
11. Keep the mower deck chute clean. Remove grass clippings, leaves, dirt, and any other accumulated debris before and after each use.

 **WARNING:** if you strike a foreign object, stop the motor. Switch off the power, thoroughly inspect the mower for any damage and repair the damage before restarting and operating the mower. Extensive vibration of the mower during operation is an indication of damage. The unit should be promptly inspected and repaired.

9. BLADE

The blade is made of pressed steel. It will be necessary to sharpen it frequently (with a grind wheel); your dealer will be able to provide this service or offer a replacement blade to purchase.

Ensure that it is always balanced (an unbalanced blade will cause dangerous vibrations). To check for balance, insert a round rod through the central hole and support the blade horizontally. A balanced blade will remain horizontal. If the blade is not balanced, the heavy end will rotate downwards. Sharpen the heavy end until the blade is correctly balanced. To remove the blade (1), unscrew the blade screw (2) and replace any parts which are damaged.

When reassembling, make sure that the cutting edges face in the direction of the motor rotation. The torque for the blade screw (2) is 20N.m.

 **WARNING: For service, replace the blade with a Cobra blade: Part number 2105200357.**

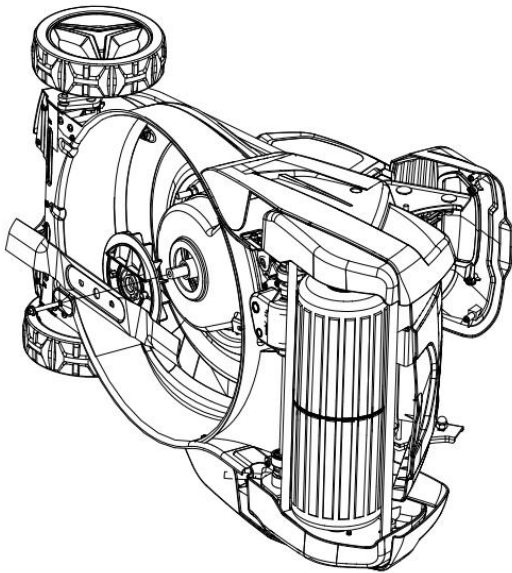


Fig. 12A

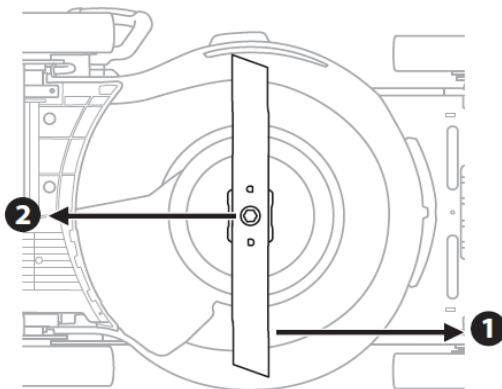


Fig. 12B

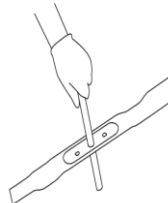


Fig. 12C

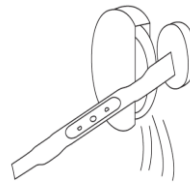


Fig. 12D

⚠ WARNING: Remove the battery from the machine when servicing blades.

⚠ WARNING: Protect hands by using heavy gloves or a rag to grasp the cutting blades when replace the blade.

10. MAINTENANCE AND CARE

⚠ Warning: Before performing any maintenance or cleaning work, always remove batteries!

Do not spray the unit with water. The ingress of water may damage connections and the electric motor. Clean the unit with a cloth, hand brush, etc.

Contact your local dealer in the following circumstances:

- a) if the lawnmower strikes an object.
- b) if the motor stops suddenly
- c) if the blade is bent (do not straighten, replace instead)
- d) if the motor shaft is bent (do not align!)

e) If the V-belt is defective.

f) Use only the manufacturer's recommended replacement parts and accessories.

11. STORING THE MOWER

The following steps should be taken in order to prepare the lawn mower for storage.

1. Remove the battery pack from the mower and store it at room temperature in a dry location.
2. Clean the mower as described earlier in the maintenance section.
3. Inspect the blade and replace it or sharpen it if required.
4. Lubricate the mower.
5. Store the mower in a dry, clean location. Do not store it next to corrosive materials like fertilizer or rock salt.
6. Store the mower in a covered, enclosed space that is cool, dry, and out of the reach of children.
7. Do not cover the lawn mower with a solid plastic sheet. Plastic coverings trap moisture around the mower, which causes rust.

The handle assembly can be disassembled completely for storage:

1. Remove the grass catcher.
2. Move the cutting height adjustment lever toward the front and engage it in the "1" position.
3. Unscrew the locking knobs on the lower handle, fold the whole handle to the storing position and then tighten the knobs.
4. Store the mower flat. (Fig. 13).

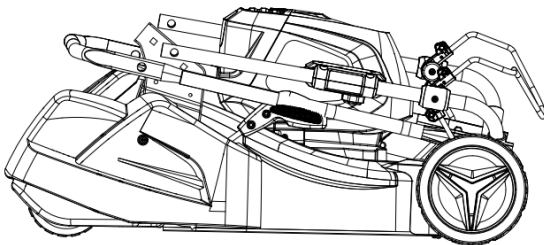


Fig. 13



WARNING: Do not store the mower upright, or mower damage or personal injury may occur.

12. TROUBLESHOOTING

Problem	Possible cause	Possible solution
Motor does not run	Battery not fitted or charged	Fit a charged battery
	Grass too long	Increase the height of cut and start the machine in a place where the grass is short
	Blade blocked	Remove the obstacle
	Thermal cut out is activated	Allow the motor to cool
Self-drive does not function	Self-drive control wire loose	Adjust the self-drive control wire
Motor power drops	Blade is blocked	Remove the obstacle
	Blade is blunt or damaged	Resharpener or replace the blade
Grass catcher is not filled	Grass is too short	Raise the cutting height
	Grass is too wet	Allow the lawn to dry
	Blade is blunt or damaged	Resharpener or replace the blade
	Collector fabric is dirty	Clean the grass collector fabric to allow airflow
Wheel drive does not function	V-belt / gears is /are damaged	Check the V-belt / gears
	Wheels are damaged	Check the drive wheels for damage
Motor runs intermittently	The thermal cut out is activated	Allow motor to cool
Machine leaves a ragged finish	Height of cut is too low	Increase the height of cut
	Blade is blunt or damaged	Resharpener or replace the blade



WARNING: Before performing any maintenance or cleaning work always remove battery. Only proceed when the



CAUTION: Faults which cannot be rectified with the aid of this table may be rectified by a Cobra dealer.

13. WARRANTY

This product is warranted in accordance with legal regulations for a 24-month period effective from the date of purchase by the first user.

This product will not be covered if used in a commercial application.

This warranty covers all material or production failures; it does not include: defects from normal wear and tear, parts such as, bearings, brushes, cables, air cleaning elements, brake pad, clutch disc, tyre, wheel, recoil starter rope, belts, cutter blades, plugs, lubricant oils and grease or accessories. Damage or defects resulting from abuse, accidents or alterations, natural fading of painted or plated surfaces, sheet peeling and other natural deterioration.

Any damage that occurs from the use of non-genuine Cobra parts will not be covered.

We reserve the right to reject any claim where the purchase cannot be verified or when it is clear that the product was not maintained properly. (Clean ventilation slots, carbon brushes and serviced regularly)

Expenses incidental to the warranty claim that are not covered;

-Compensation for loss of time, commercial loss or rental costs of a substitute product.

-Costs incurred for transportation to and from the dealership.

Any damage that occurs from the following will not be covered; exposure of the product to smoke and soot, chemical agents, bird droppings or other animal waste, seawater, sea breeze, salt or other environmental phenomena. Any damage resulting from operating methods other than those indicated in the owner's manual will not be covered.

Your purchase receipt must be kept as proof for date of purchase. Your un-dismantled mower must be returned to your dealer in an acceptably clean state, accompanied by your proof of purchase.

Please Register Your Mower

If your dealer did not collect registration information from you, please take a few minutes and register your purchase with Cobra. You can register by completing the online registration at:


www.cobragarden.co.uk and click on Product Registration.

14. ENVIRONMENTALLY FRIENDLY DISPOSAL



According to EU directive 2012/19/EU on electric and electronic equipment and its implementation into national law, all electric tools must be separately collected and environmentally friendly recycled. Alternative disposal: If the owner of the power tool does not return the tool to the manufacturer, he is responsible for proper disposal at a designated collection point that prepares the device for recycling according to national recycling laws and regulations. This does not include accessories and tools without electric or electronic components.

15. EC-DECLARATION OF CONFORMITY

EC Declaration of Conformity	
We herewith declare,	Cobra Garden Machinery Henton & Chattell Ltd, London Road, Nottingham NG2 3HW UK
That the following machine complies with the appropriate basic safety and health requirements of the EC Directive based on its design and type, as brought into circulation by us.	
In case of alteration of the machine, not agreed upon by us, this declaration will lose its validity	
Product	Cordless Lawn Mower
Machine Type:	RM4340VX (DYM191912) RM43SP40VX (DYM192012)
Serial Number range:	000000000001-999999999999
Rated voltage/power	40Vd.c.
Measured sound power level:	89.3 dB(A)
Guaranteed sound power level:	93dB(A) Notified Body for EC Directive 2000/14/EC:0036 TÜV SÜD Industrie Service GmbH Westendstrasse 199 • 80686 München • Deutschland
Applicable EC Directives:	2014/30/EU 2006/42/EC 2000/14/EC 2011/65/EU
Applicable Harmonized Standards:	EN 62841-1 2015/A11:2022 EN IEC 62841-4-3:2021/A11:2021 EN 55014-1:2021 EN 55014-2 :2021 EK9-BE-52(v4):2020 EK9-BE-98(v2):2020 AfPS GS 2019:01 PAK
Authorized Signature/Date/ Place:	 2/10/2025 Peter Chaloner, Nottingham NG2 3HW UK
Title of Signatory:	Managing Director
Name and address of the person authorised to compile the technical file	Cobra Garden Machinery Henton & Chattell Ltd, London Road, Nottingham NG2 3HW UK