

# COBRA

**MODEL: MT40VX (MWA649) & ATTACHMENTS**

## **COBRA CORDLESS MULTI-TOOL OWNER'S MANUAL**



**WARNING!**

When using the machine, the safety rules must be followed. Please read these instructions before operating the machine for your safety and bystanders. Please keep the instructions safe for later use.

**Cobra Garden Machinery**













Henton and Chattell Ltd., London Road, Nottingham NG2 3HW UK






[www.cobragarden.co.uk](http://www.cobragarden.co.uk)

# CONTENTS

SECTION 1 SYMBOLS MARKED ON THE PRODUCT.....	3
SECTION 2 GENERAL SAFETY RULES.....	4
SECTION 3 PARTS DIAGRAM.....	13
SECTION 4 TECHNICAL DATA.....	16
SECTION 5 UNPACKING.....	18
SECTION 6 ASSEMBLY.....	19
SECTION 7 OPERATING.....	24
SECTION 8 MAINTENANCE .....	37
SECTION 9 TROUBLESHOOTING.....	54
SECTION 10 WARRANTY.....	57
SECTION 11 ENVIRONMENTALLY FRIENDLY DISPOSAL.....	57
SECTION 12 EC-DECLARATION OF CONFORMITY .....	58

# 1. SYMBOLS MARKED ON THE PRODUCT

	<b>WARNING!</b>
	<b>Read the operator's manual.</b>
	<b>Wear head, eye and ear protection.</b>
	<b>Danger- Keep hands away from the blade.</b>
	<b>Do not expose to rain.</b>
	<b>To reduce the risk of your hands, please wear gloves!</b>
	<b>Wear non-slip safety footwear when using the product.</b>
	<b>WARNING-Beware of thrown objects. Keep bystanders away.</b>
	<b>DANGER- Keep a sufficient distance away from electrical power lines.</b>
	<b>Beware of blade thrust</b>
	<b>This unit is not intended for use with a toothed saw-type blade.</b>
	<b>The direction of the edger blade rotation.</b>

	Keep bystanders 15m away.
	Thrown objects.
	Rotation cutting blade.
	Your tool noise is not more than XXdB.
	<p>WEEE marking.</p> <p>CAUTION: Unusable power tools do not belong with domestic waste. They must be taken to a communal collecting point for environmentally friendly disposal in accordance with local regulations.</p>

## 2. GENERAL SAFETY RULES

General Power Tool Safety Warnings

### WARNING:

**Please read all safety warnings, instructions, illustrations, and specifications provided with this power tool. Following the warnings and instructions is critical to avoid an electric shock, fire, and/or serious injury.**

**Save all warnings and instructions for future reference.**

The term “power tool” in the warnings refers to a mains-operated (corded) power tool or battery-operated (cordless) power tool.

### 2.1 WORK AREA SAFETY

- a) **Keep the work area clean and well-lit.** Cluttered or dark areas invite accidents.
- b) **Do not operate power tools in explosive atmospheres, such as in the presence of flammable liquids, gases or dust.** Power tools create sparks that may ignite dust or fumes.
- c) **Keep children and bystanders away while operating a power tool.** Distractions can cause you to lose control.

### 2.2 ELECTRICAL SAFETY

- a) **Power tool plugs must match the outlet. Never modify the plug or use adapter plugs with earthed (grounded) power tools.** Unmodified plugs and matching outlets will reduce the risk of electric shock.
- b) **Avoid body contact with earthed or grounded surfaces, such as pipes, radiators, ranges and refrigerators.** There is an increased risk of electric shock if your body is earthed or grounded.

- c) **Do not expose power tools to rain or wet conditions.** Water entering a power tool will increase the risk of electric shock.
- d) **Do not abuse the cord. Never use it for carrying, pulling, or unplugging the power tool. Keep the cord away from heat, oil, sharp edges, or moving parts.** Damaged or entangled cords increase the risk of electric shock.

## 2.3 PERSONAL SAFETY

- a) **Stay alert, watch what you are doing and use common sense when operating a power tool. Do not use a power tool while you are tired or under the influence of drugs, alcohol or medication.** A moment of distraction while operating power tools may result in serious personal injury.
- b) **Use personal protective equipment. Always wear eye protection.** Protective equipment such as dust masks, non-skid safety shoes, hard hats, or hearing protection, used in appropriate conditions, will reduce personal injuries.
- c) **Prevent unintentional starting. Ensure the switch is in the “off-position” before connecting to a power source and/or battery pack or when picking up or carrying the tool.** Carrying power tools with your finger on the switch or energising power tools with the switch on invites accidents.
- d) **Remove any adjusting key or wrench before turning the power tool on.** A wrench or a key left attached to a rotating part of the power tool may result in personal injury.
- e) **Do not overreach. Always keep proper footing and balance.** This enables better control of the power tool in unexpected situations.
- f) **Dress properly. Do not wear loose clothing or jewellery. Keep your hair, clothing and gloves away from moving parts.** Loose clothes, jewellery or long hair, can be caught in moving parts.
- g) **If devices are provided for connecting dust extraction and collection facilities, ensure these are connected and used properly.** Dust collection can reduce dust-related hazards.
- h) **Do not let familiarity gained from frequent use of tools make you complacent and ignore tool safety principles.** A careless action can cause severe injury within a fraction of a second.

## 2.4 POWER TOOL USE AND CARE

- a) **Do not force the power tool. Use the correct power tool for your application.** The correct power tool will do the job better and safer at the rate for which it was designed.
- b) **Do not use the power tool if the switch does not turn on and off.** Any power tool that cannot be controlled with the switch is dangerous and must be repaired.
- c) **Disconnect the plug from the power source and/or the battery pack from the power tool before making any adjustments, changing accessories, or storing power tools.** Such preventive safety measures reduce the risk of starting the power tool accidentally.

- d) **Store idle power tools out of the reach of children. Do not allow persons unfamiliar with the power tool or these instructions to operate the power tool.** Power tools are dangerous in the hands of untrained users.
- e) **Maintain power tools. Check for misalignment or binding of moving parts, breakage of parts, and any other condition that may affect the power tool's operation. If damaged, have the power tool repaired before use. Poorly maintained power tools cause many accidents.**
- f) **Keep cutting tools sharp and clean.** Properly maintained cutting tools with sharp cutting edges are less likely to bind and are easier to control.
- g) **Use the power tool, accessories, tool bits, etc., in accordance with these instructions, taking into account the working conditions and the work to be performed. Using the power tool for operations other than those intended could result in a hazardous situation.**
- h) **Keep handles and grasping surfaces dry, clean, and free from oil and grease. Slippery handles and grasping surfaces prevent safe handling and control of the tool in unexpected situations.**

## **2.5 BATTERY TOOL USE AND CARE**

- a) **Recharge only with the charger specified by the manufacturer.** A charger that is suitable for one type of battery pack may create a risk of fire when used with another battery pack.
- b) **Use power tools only with specifically designated battery packs.** Use of any other battery packs may create a risk of injury and fire.
- c) **When the battery pack is not in use, keep it away from other metal objects, like paper clips, coins, keys, nails, screws or other small metal objects that can make a connection from one terminal to another.** Shorting the battery terminals together may cause burns or a fire.
- d) **Under abusive conditions, liquid may be ejected from the battery; avoid contact. If contact accidentally occurs, flush with water. If liquid contacts the eyes, additionally seek medical help.** Liquid ejected from the battery may cause irritation or burns.
- e) **Do not use a battery pack or tool that is damaged or modified.** Damaged or Modified batteries may exhibit unpredictable behaviour resulting in fire, explosion or risk of injury.
- f) **Do not expose a battery pack or tool to fire or excessive temperature.** Exposure to fire or temperatures above 130 °C may cause an explosion.
- g) **Follow all charging instructions, and do not charge the battery pack or tool outside the specified temperature range.** Charging improperly or at temperatures outside the specified range may damage the battery and increase the fire risk.

## **2.6 SERVICE**

- a) **Have a qualified repair person service your power tool using only identical replacement parts.** This will ensure its safety.

b) **Never service damaged battery packs.** Battery pack service should only be performed by the manufacturer or authorised service providers.

## 2.7 Grass Trimmer and Brush Cutter Safety Warnings

- a) **Do not use the machine in bad weather conditions, especially when there is a risk of lightning.** The shaft of the trimmer may act as a conductor.
- b) **Thoroughly inspect the area where the machine will be used for wildlife.** The machine may injure wildlife during operation.
- c) **Thoroughly inspect the area where the machine will be used and remove all stones, sticks, wires, bones, and other foreign objects.** Thrown objects can cause personal injury.
- d) **Before using the machine, always visually inspect to see that the cutter and the cutter assembly are not damaged.** Damaged parts increase the risk of injury.
- e) **Follow instructions for changing accessories.** Improperly tightened blade securing nuts or bolts may damage the blade or cause it to become detached.
- f) **The blade's rated rotational speed must be at least equal to the maximum rotational speed marked on the machine.** Blades running faster than their rated rotational speed can break and fly apart.
- g) **Wear eye, ear, head and hand protection.** Adequate protective equipment will reduce personal injury by flying debris or accidental contact with the cutting line or blade.
- h) **While operating the machine, always wear safety footwear. Do not operate the machine barefoot or in open sandals.** This reduces the chance of foot injury from contact with a moving cutter, line, or blade.
- i) **While operating the machine, always wear long trousers.** Exposed skin increases the likelihood of injury from thrown objects.
- j) **Keep bystanders away while operating the machine.** Thrown debris can result in serious personal injury.
- k) **Always use two hands when operating the machine.** Holding the machine with both hands will avoid loss of control.
- l) **Hold the machine by the insulated handle grips only because the cutting line or blade may contact hidden wiring.** Cutting lines or blades contacting a "live" wire may make exposed metal parts of the machine "live" and could give the operator an electric shock.
- m) **Always keep a proper footing and operate the machine only when standing on the ground.** Slippery or unstable surfaces may cause a loss of balance or loss of control of the machine.
- n) **Do not operate the machine on excessively steep slopes.** This reduces the risk of losing control, slipping and falling, which may result in personal injury.
- o) **When working on slopes, always be sure of your footing, always work across the face of slopes, never up or down, and exercise extreme caution when changing directions.** This reduces the risk of losing control, slipping and falling, which may result in personal injury.
- p) **Keep all body parts away from the cutter, line or blade when the machine is operating. Before starting the machine, ensure the cutter, line, or blade is not contacting anything.** A moment of distraction while operating the machine may injure yourself or others.
- q) **Do not operate the machine above waist height.** This helps prevent unintended cutter or blade contact and enables better machine control in unexpected situations.

- r) **When cutting brush or saplings that are under tension, be alert for springback.** When the tension in the wood fibre is released, the brush or sapling may strike the operator and/or throw the machine out of control.
- s) **Use extreme caution when cutting brush and saplings.** The slender material may catch the blade and be whipped toward you or pull you off balance.
- t) **Maintain control of the machine and do not touch cutters, lines or blades and other hazardous moving parts while they are still in motion.** This reduces the risk of injury from moving parts.
- u) **Carry the machine with the machine switched off and away from your body. Always switch off the machine and remove the battery when transporting.** Proper machine handling will reduce the likelihood of accidental contact with a moving cutter line or blade.
- v) **Always fit the cover on metal blades when transporting or storing the machine.** Proper machine handling will reduce the likelihood of accidental contact with the blade.
- w) **Only use replacement cutters, lines, cutting heads and blades specified by the manufacturer.** Incorrect replacement parts may increase the risk of breakage and injury.
- x) **When clearing jammed material or servicing the machine, ensure the switch is off and the battery pack is removed.** Unexpected starting of the machine while clearing jammed material or servicing may result in serious personal injury.
- Y) **This tool should be used only by suitably trained adults. Ensure all users have read these instructions before operating the trimmer.**

### **Blade thrust causes and related warnings.**

- a) **Maintain a firm grip with both hands on the machine and position your arms to resist blade thrust. Position your body to the left side of the machine.** Blade thrust can increase the risk of injury because the machine moves unexpectedly. If proper precautions are taken, the operator can control blade thrust.
- b) **If the blade binds or when interrupting a cut for any reason, switch the machine off and hold it motionless in the material until the blade comes to a complete stop. While the blade is binding, never attempt to remove the machine from the material or pull the machine backwards while the blade is in motion; otherwise, blade thrust may occur.** Investigate and take corrective actions to eliminate the cause of blade binding.
- c) **Do not use blunt or damaged blades.** Blunt or damaged blades increase the risk of jamming or catching an object, resulting in blade thrust.
- d) **Always maintain good visibility of the material being cut.** Blade thrust is more likely to occur in areas where it is difficult to see the material being cut.
- e) **If you are approached by another person while operating the machine, switch the machine off.** There is an increased risk of injury to other people being struck by the moving blade in the event of blade thrust.

### **2.8 HEDGE TRIMMER SAFETY WARNINGS**

- a) **Keep all parts of the body away from the blade. Do not remove cut material or hold material to be cut when blades are moving.** Blades continue to move briefly after the switch is turned off. A moment of inattention while operating the hedge trimmer may result in serious personal injury.

- b) **Carry the hedge trimmer by the handle with the blade stopped, taking care not to operate any power switch. Always switch off the machine and remove the battery when transporting.** Proper carrying of the hedge trimmer will decrease the risk of inadvertent starting and resultant personal injury from the blades.
- c) **Always fit the blade cover when transporting or storing the hedge trimmer.** Proper handling of the hedge trimmer will decrease the risk of personal injury from the blades.
- d) **When clearing jammed material or servicing the unit, ensure all power switches are off and the battery pack is removed or disconnected from the mains supply.** Unexpected actuation of the hedge trimmer while clearing jammed material or servicing may result in serious personal injury.
- e) **Hold the hedge trimmer by the insulated handle grips only because the blade may contact hidden wiring.** Blades contacting a "live" wire may make exposed metal parts of the hedge trimmer "live" and could give the operator an electric shock.
- f) **Keep all power cords and cables away from the cutting area.** They may be hidden in hedges or bushes and can be accidentally cut by the blade.
- g) **Do not use the hedge trimmer in bad weather conditions, especially in wet conditions and when there is a risk of lightning.** This decreases the risk of being struck by lightning.

#### **Extended-reach hedge trimmer safety warnings:**

- a) **To reduce the risk of electrocution, never use the extended-reach hedge trimmer near electrical power lines. Contact with or use near power lines may cause serious injury or electric shock, which can result in death.**
- b) **Always use two hands when operating the extended-reach hedge trimmer.** Hold the extended-reach hedge trimmer with both hands to avoid losing control.
- c) **Always use head protection when operating the extended-reach hedge trimmer overhead.** Falling debris can result in serious personal injury.

## **2.9 EDGER SAFETY WARNINGS**

### **Training**

- a) **Read the instructions carefully.** Be familiar with the controls and the proper use of the equipment.
- b) **Never allow children or people unfamiliar with these instructions to use an edger. Local regulations may restrict the operator's age.**
- c) **Never edge while people, especially children or pets, are nearby.**
- d) **Remember that the operator or user is responsible for accidents or hazards that occur to people or their property.**

### **Preparation**

- a) **Always wear eye and ear protection, substantial footwear, and long trousers while edging.**
- b) **Thoroughly inspect the area where the machine will be used** and remove all stones, sticks, wires, bones, and other foreign objects. Thrown objects can cause personal injury.
- c) **Before using, always visually inspect the machine** checking that the blades, blade bolts and cutter assembly are not worn or damaged. Replace worn or damaged blades and bolts in sets to preserve balance.
- d) **Use only manufacturer-recommended replacement parts and accessories.**

## Operation

- a) **Always hold the edger firmly** while operating with both hands on the handles. Wrap your fingers and thumbs around the handles.
- b) **Edge only in daylight** or good artificial light.
- c) **Always be sure of your footing** on slopes.
- e) **Walk**, never run when transporting or when using the machine.
- f) **Use extreme caution** when reversing or pulling the edger toward you.
- g) **Ensure the blades have stopped** before crossing surfaces other than grass and when transporting the edger to and from the area to be edged.
- h) **Never operate the edger with defective**, missing or incorrectly fitted guards.
- i) **Switch on the motor carefully** according to instructions and with feet well away from the blade.
- j) **Do not tilt when switching on the motor** unless the edger is tilted to start. In this case, do not tilt it more than necessary and lift only the part which is away from the operator.
- k) **Do not start the machine** if a bystander stands before the blade.
- l) **Do not put hands or feet near or under rotating parts**. Keep hands and feet away from the cutting area.
- m) **Keep guards in place** and good working order.
- n) **Keep blades sharp**.
- o) **Do not grasp the exposed cutting blades** or cutting edges when picking up or holding the appliance.
- p) **Always switch off the machine and remove from the mains power source or remove the battery**
  - 1) Before clearing a blockage.
  - 2) Before checking, cleaning, or working on the blade
  - 3) After striking a foreign object: inspect the blade for damage and make repairs before restarting and operating the edger.
  - 4) If the edger starts to vibrate abnormally (check immediately)
- q) **Stop the machine:**
  - 1) Whenever you leave the edger, always remove the battery.
  - 2) Store it safely. Never leave the machine unattended.

## Maintenance and storage

- a) **Keep all** nuts, bolts and screws and fastenings tight and in accordance with the manufacturer's guidelines.
- d) **To reduce the fire hazard**, keep the motor and battery compartment free of grass, leaves or excessive grease
- e) **Replace worn or damaged parts**
- g) **Do not attempt to repair the machine unless you are competent to do so**
- h) **Use only manufacture-recommended replacement parts and accessories**

### 2.10 Pole Saw Safety Warnings

1. **Keep hands away from blades.**
2. **Keep all parts of the body away from the saw chain.** Do not remove cut material or hold material to

be cut when the blades are moving. Ensure the switch is off and the battery is removed when clearing jammed material. The saw chain will continue to move briefly after the switch is turned off. A moment of distraction while operating the extended-reach pruner may result in serious personal injury.

3. **Carry the extended-reach pruner by the handle with the saw chain stopped.** When transporting or storing it, always fit the saw chain device cover. Proper handling will reduce the possibility of personal injury from the saw chain.
4. **Hold the extended-reach pruner by the insulated grip handles only.** The saw chain may contact hidden wiring. A saw chain contacting a “live” wire may make exposed metal parts of the extended-reach pruner “live” and could give the operator an electric shock.
5. **Do not use the extended-reach pruner in bad weather conditions,** especially when lightning is likely. This decreases the risk of being struck by lightning.
6. **Never use any electrical power lines to reduce the risk of electrocution.** Contact with or use near power lines may cause serious injury or electric shock resulting in death.
7. **Always use two hands when operating the extended-reach pruner.** Hold the pruner with both hands to avoid losing control.
8. **Wear eye protection.** Further protective equipment for hearing, hands, legs and feet is recommended. Adequate protective equipment will reduce personal injury from flying debris or accidental contact with the saw chain.
9. **Always use head protection** when operating the extended-reach pruner overhead. Falling debris can result in serious personal injury.
10. **Do not operate a pole saw in a tree,** on a ladder, from a rooftop, or any unstable support. Operating a pole saw in this manner could result in serious personal injury.
11. **Always keep proper footing** and operate the pole saw only when standing on fixed, secure and level surfaces. Slippery or unstable surfaces may cause a loss of balance or control of the pole pruner.
12. **When cutting a limb that is under tension,** be alert for springback. When the tension in the wood fibre is released, the spring-loaded limb may strike the operator and/or throw the pole pruner out of control.
13. **Follow instructions for lubricating,** chain tensioning, and changing the bar and chain. An improperly tensioned or lubricated chain may either break or increase the chance of kickback.
14. **Cut branches only.** Do not use pole pruners for purposes that are not intended. For example, do not use a pole pruner for cutting metal, plastic, masonry or non-wood building materials. Use of the pole pruner for operations different than intended could result in a hazardous situation and injury and death.
15. **Keep handles dry, clean and free from oil and grease.** Greasy, oily handles are slippery, causing loss of control.
16. **Kickback is the result of pole pruner misuse** and/or incorrect operating procedures or conditions and can be avoided by taking proper precautions as given below:
  - Maintain a firm grip, with thumbs and fingers encircling the pole pruner handles, with both hands on the pole pruner and position your body and arm to allow you to resist kickback forces. Kickback forces can be controlled by the operator if proper precautions are taken. Do not let go of the pole pruner.
  - Only use replacement guide bars and pole pruners specified by the manufacturer. Incorrect replacement guide bars and pole pruners may cause chain breakage and/or kickback.

**Follow the manufacturer’s sharpening and maintenance instructions** for the pole pruner. Decreasing the depth gauge height can increase kickback.

## **2.11 ADDITIONAL WARNINGS**

1. This tool is not intended for use by trained and competent adults only. Bystanders should always be kept at a safe distance from the working tool.
2. When working with the machine, always hold it firmly with both hands, making sure you have a good, balanced footing. This allows you to guide the power tool more securely.
3. Always ensure all handles and guards are securely fitted when using the machine. Never attempt to use an incomplete machine or one fitted with an unauthorised modification.
4. Wait until the machine has completely stopped before placing it down.
5. Do not open the battery compartment. The battery could short-circuit and cause an electric shock, injury, or death. Protect the battery against heat, continuous sun radiation, and fire. There is a danger of an explosion.
6. Vapors may be emitted from damaged or improperly used batteries. Provide fresh air and seek medical help if you experience problems. The vapours can irritate the respiratory system.
7. When the battery is defective, liquid can escape and contact adjacent components. Check any parts concerned. Clean such parts or replace them if necessary.
8. Use the battery only in conjunction with your power tool. This measure alone protects the battery against dangerous overload.

## **2.12 SAFETY WARNINGS FOR BATTERY CHARGERS**

1. Keep the battery charger away from rain or moisture. Water ingress of the battery charger increases the risk of an electric shock.
2. Do not charge other batteries. The battery charger is suitable only for charging lithium-ion batteries within the listed voltage range. Otherwise, there is a danger of fire and explosion.
3. Keep the battery charger clean. Contamination can lead to the danger of an electric shock.
4. Check the battery charger, cable and plug before each use. If damage is detected, do not use the battery charger. Never open the battery charger yourself. Have repairs performed only by a qualified technician and only using original spare parts. Damaged battery chargers, cables and plugs increase the risk of an electric shock.
5. Do not operate the battery charger on easily inflammable surfaces (e.g., paper, textiles, etc.) or surroundings. The heating of the battery charger during the charging process can pose a fire hazard.
6. Children should be supervised to ensure that they do not play with the battery charger.

**SAVE THESE INSTRUCTIONS**

### 3. PARTS DIAGRAM

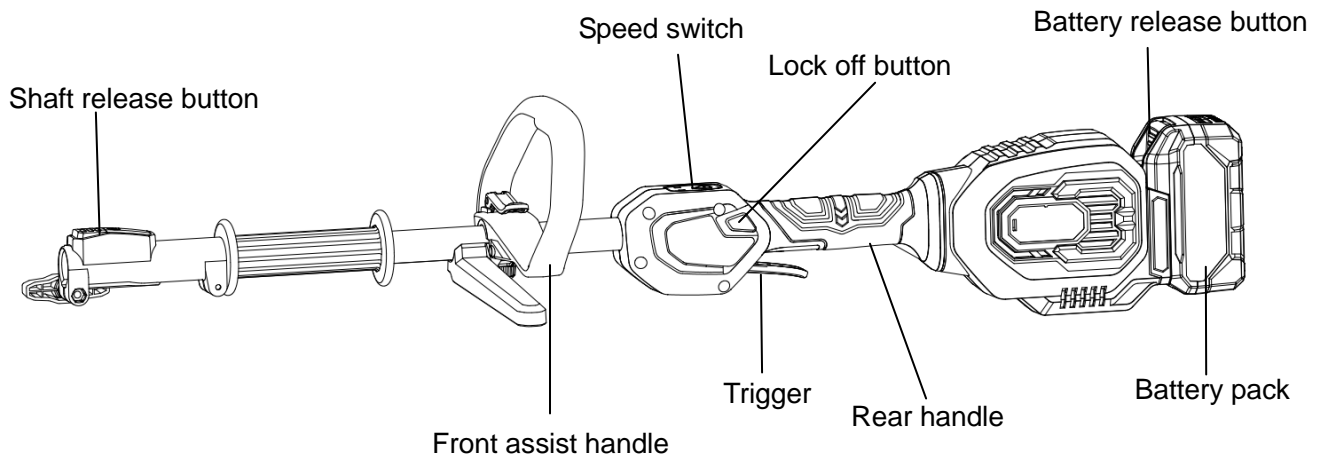


Fig. 1A (649) Power Head

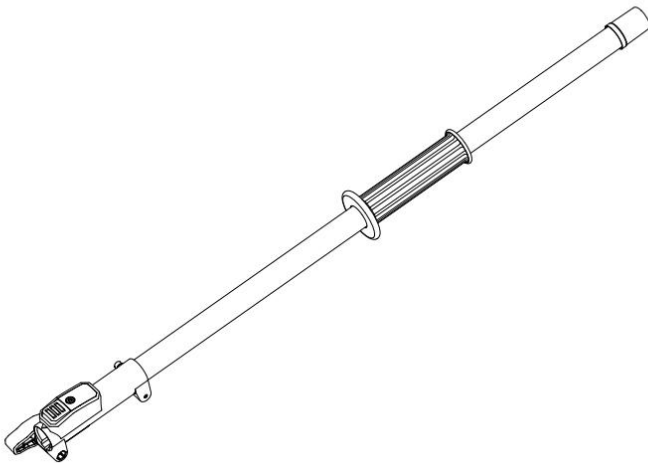


Fig. 1B (601) Extension Pole

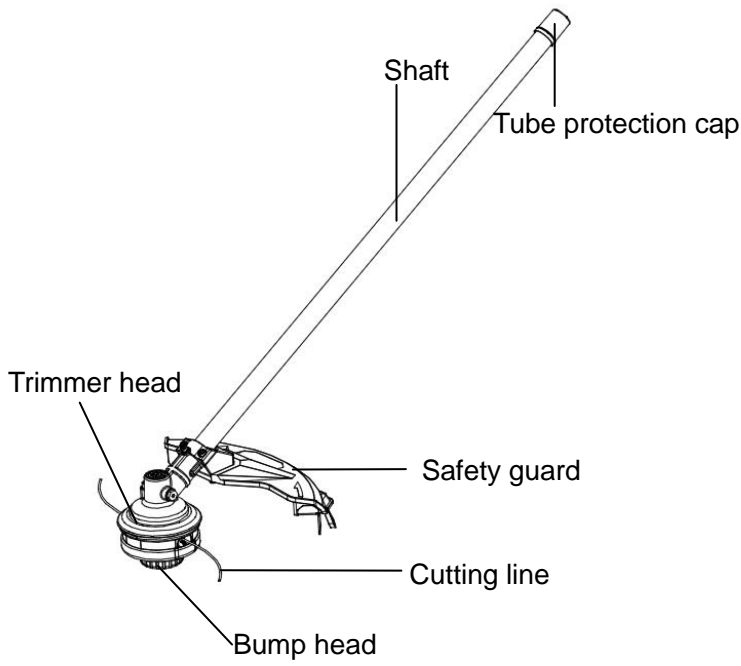


Fig. 1C(602) Grass Trimmer

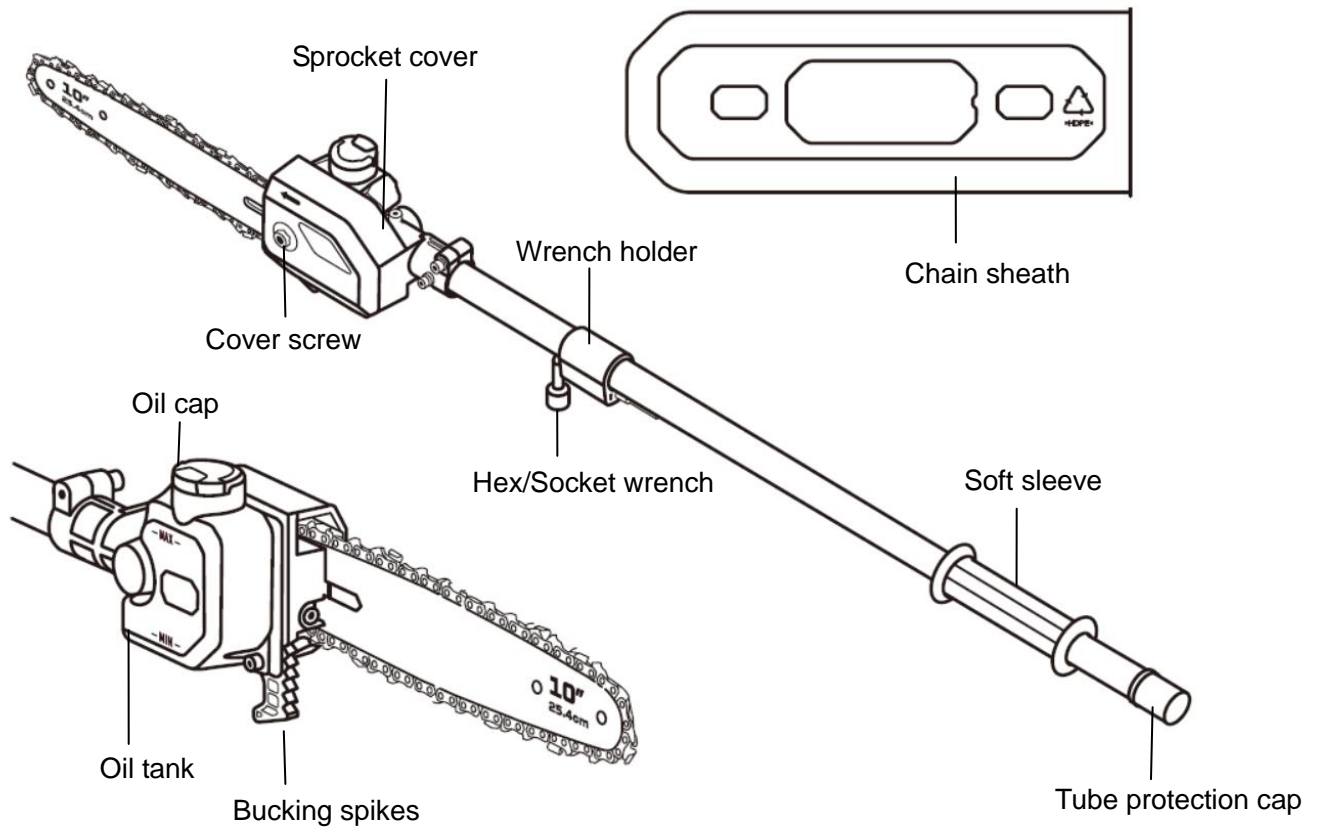


Fig. 1D (603) Pole Pruner

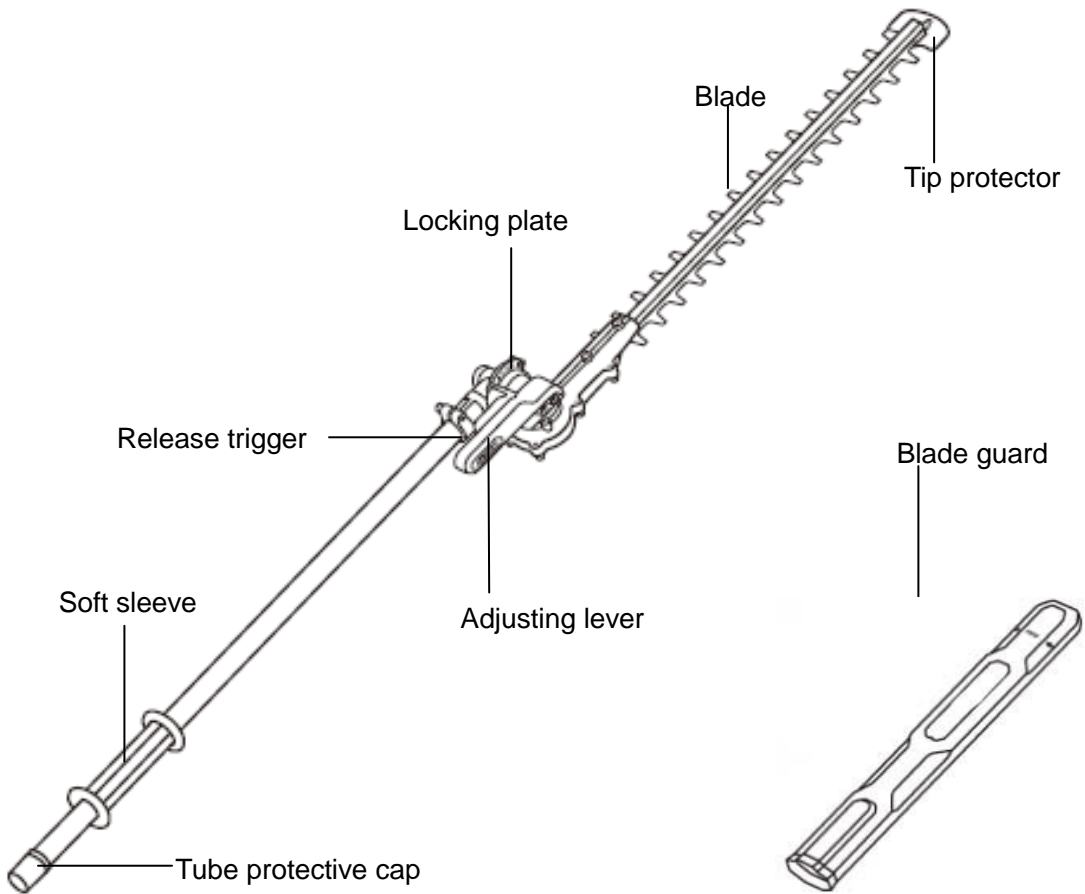


Fig. 1E(604) Long Reach Hedge Trimmer

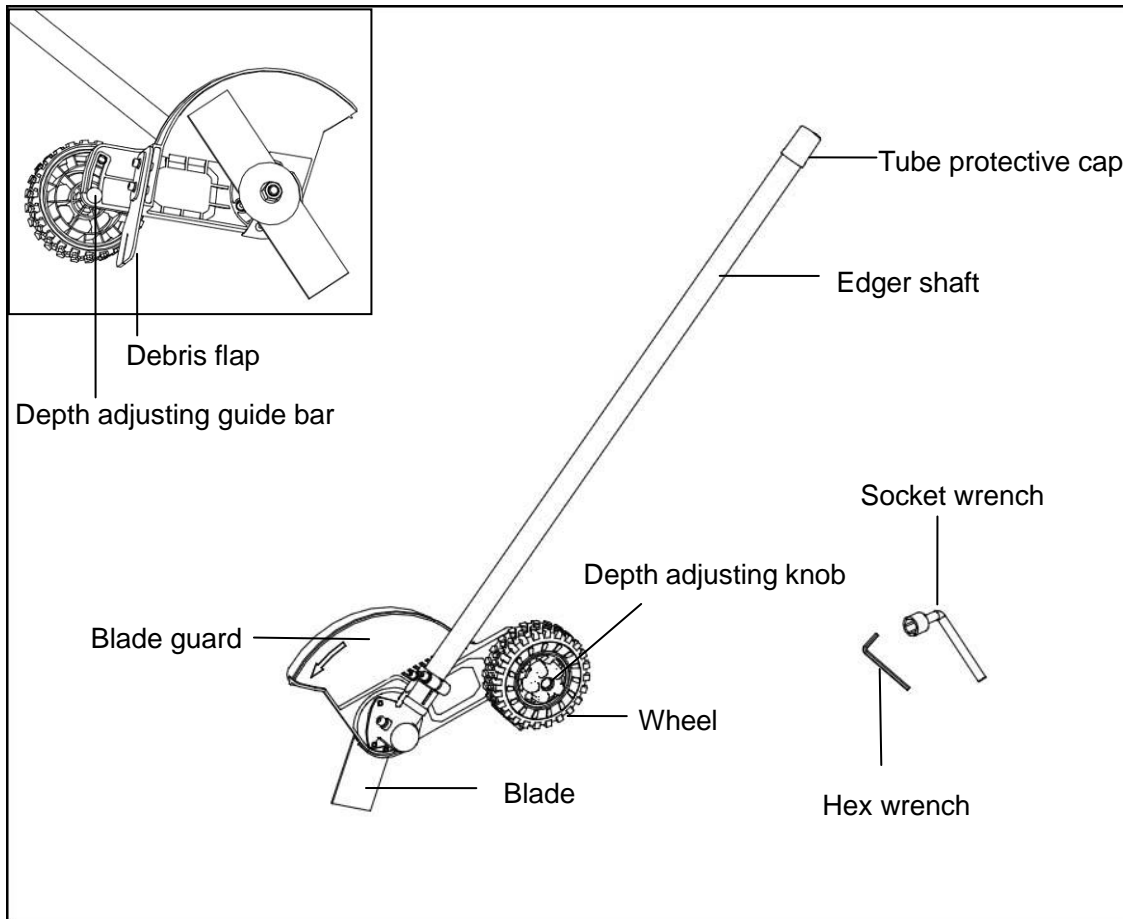


Fig. 1F(605) Lawn Edger

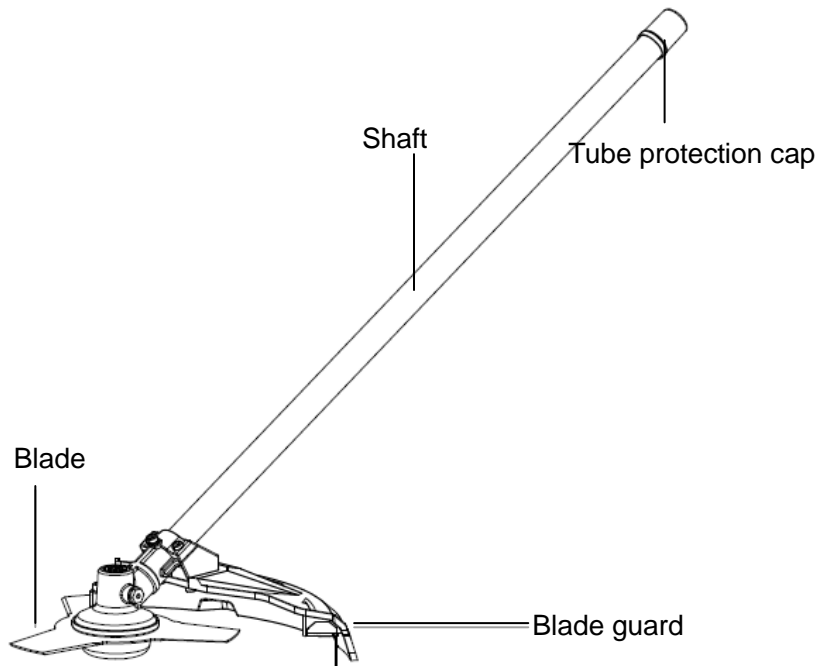


Fig. 1G(640) Brush Cutter

#### 4. TECHNICAL DETAILS

<b>Model:</b>	Powerhead: MT40VX (MWA649) Extension pole: MT40VXEXT (MWA601) Grass trimmer: MT40VXGT (MWA602) Pole saw: MT40VXPR (MWA603) Pole hedge trimmer: MT40VXHT (MWA604) Lawn Edger: MT40VXLE (MWA605) Brush cutter: MT40VXBC (MWA640) Grass trimmer & Brush cutter: MWA641
Rated voltage:	40V d.c Max
No load speed:	8000 /min
Grass trimmer	
Cutting line type:	Ø 0.09 in. (2.3 mm) nylon spiral line
Cutting width:	406 mm
Cutting speed:	3700-6000 /min
Mass	5.1 kg
Pole Saw	
Bar length:	8 in or 10 in
Cutting speed:	Max. 15 m/s

Pole Hedge Trimmer	
Blade Length:	508 mm
Cutting speed:	2100-3400 spm
Mass	7.2 kg
Edger	
Blade type	2285200009
Blade Size	2 teeth; $\Phi$ 228 mm; 2,5 mm thick
Cutting speed:	3300- 5300 /min
Mass	5.2 kg
Brush cutter	
Blade type	2285200006
Blade Size	3 teeth; $\Phi$ 254 mm; 1,4 mm thick
Cutting speed:	3700-6000 /min
Mass	4.9 kg
Operating & storage temperature	4-40 °C

	Grass trimmer	Pole saw	Pole hedge trimmer	Edger	Brush cutter
Sound pressure level at the operator's position:	81.3 dB(A) K=3dB(A)	85.4 dB(A) K=3 dB(A)	76.6 dB(A) K=3 dB(A)	78.3dB(A) K=3dB(A)	79.9dB(A) K=3dB(A)
Measured sound power level:	93.33 dB(A) K=2.37 dB(A)	101.64 dB(A) K=2.46 dB(A)	88.65 dB(A) K=2.15 dB(A)	96.96 dB(A) K=2.94 dB(A)	92.17 dB(A) K=1.93 dB(A)
Guaranteed Sound Power Level:	96dB(A)	104 dB(A)	91 dB(A)	100dB(A)	94 dB(A)
Vibration:	2.64 m/s <sup>2</sup> K=1.5 m /s <sup>2</sup>	1.84 m/s <sup>2</sup> K=1.5 m/s <sup>2</sup>	3.43 m/s <sup>2</sup> K=1.5 m/s <sup>2</sup>	3.51 m/s <sup>2</sup> K=1.5 m/s <sup>2</sup>	3.36 m/s <sup>2</sup> K=1.5 m/s <sup>2</sup>

Battery pack	20VX2AH MWA712	20VX2.5AH MWA713	40VX2AH MWA562	40VX2.5AH MWA563	40VX4AH MWA564
Voltage	20V d.c.	20V d.c.	40V d.c.	40V d.c..	40V d.c.
Battery capacity	2.0Ah/36Wh	2.5Ah/45Wh	2.0Ah/72Wh	2.5Ah/90Wh	4.0Ah/144Wh
Compatible charger	MWA703		MWA704		MWA705
Charger input	220-240VAC,50/60Hz,0.5A		220V-240V~,50/60Hz,1A		220V-240V~,50/60Hz,1.2 A
Output	20V d.c.,1A		20V d.c.,2A		20V d.c.,4A

Allowable charging temperature range	4-40°C
The temperature range for storage and use	0-45°C

### Noise and Vibration

The declared vibration total value and the declared noise emission value have been measured in accordance with a standard test method and may be used to compare one tool with another.

A preliminary assessment of exposure may also use the declared vibration total value and the declared noise emission value.



**WARNING:** The vibration and noise emissions during actual use of the power tool can differ from the declared value depending on the way in which the tool is used and specific conditions, provided the tool is in good condition and well maintained.

Use the correct accessory for the tool and ensure it is sharp and in good condition.

The tightness of the grip on the handles and whether any anti-vibration and noise accessories are used.

And the tool is being used as intended by its design and these instructions.

**This tool may cause hand-arm vibration syndrome if its use is not adequately managed.**

## 5. UNPACKING



**WARNING:** If any parts are damaged or missing, do not operate this product until they are replaced.

Using this product with damaged or missing parts could result in serious personal injury.



**WARNING:** Before assembly, ensure the appliance is switched off and the battery is removed.



**WARNING:** Do not attempt to modify this product or create accessories not recommended for use with this power head.

1. Carefully remove the tool and all accessories from the carton.
2. Check the tool to ensure nothing was damaged during transportation.
3. Once you have confirmed that the tool is complete and working, dispose of all packing materials using responsible recycling and disposal practices.
4. Please contact your supplying dealer if parts are damaged or missing.
5. Charge your battery pack fully before operation.

## 6. ASSEMBLY

**WARNING:** Always be sure that the tool is switched off and the battery pack is removed before working on it. Failure to switch off and remove the battery pack may result in serious personal injury from accidental start-up.

**WARNING:** Never start the tool unless it is completely assembled. Operation of the tool in a partially assembled state may result in serious personal injury from accidental start-up.

**CAUTION:** If the battery is incorrectly replaced, there is a danger of explosion. Replace only with the same or equivalent type.

### 6.1 Front 'P' Shape Assistant Handle Assembly (Operation Only For Grass Trimmer, Brush Cutter And Edger)

1. Unscrew the locking lever from the front-assist handle. (Fig.2A)
2. Position the front-assist handle onto the upper shaft of the trimmer. Ensure that the limiting block locks into the designated slot. (Fig.2B)
3. Move the front assist handle up or down to the desired position, then fully tighten the nut to fasten it in place (Fig.2B)

**NOTE:** Do not operate the tool without the front assist handle firmly in place.

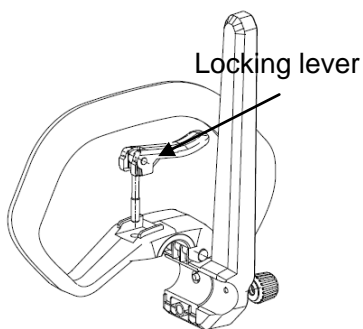


Fig.2A

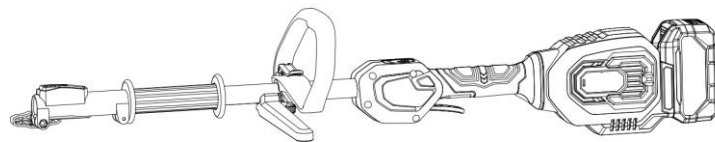


Fig.2B

### 6.2 Connect An Attachment To The Power Head

**WARNING:** Read and understand the Operator's Manual for each optional attachment used on this power head and follow all warnings and instructions. Failure to follow all instructions could result in electric shock, fire and/or serious personal injury.

**WARNING:** This power head is designed to be used only with the attachments specified in this Operator's Manual. Use of other unauthorised attachments could cause serious personal injuries or property damage.

**WARNING:** Always be sure that the tool is switched off and the battery pack is removed before working on it. Failure to switch off and remove the battery pack may result in serious personal injury from accidental

start-up.

**⚠ WARNING:** Never start the tool unless it is completely assembled. Operation of the tool in a partially assembled state may result in serious personal injury from accidental start-up.

**⚠ CAUTION:** If the battery is incorrectly replaced, there is a danger of explosion. Replace only with the same or equivalent type.

1. Remove the tube protection cap before installation.
2. Loosen the wing knob.
3. Align the installation hole on the attachment shaft with the arrow on the power head shaft, and push the attachment shaft into the power head shaft until you hear a “click” sound, which means that the attachment shaft is mounted into place. (Fig.3A)
4. The hedge trimmer can be attached in either the top cutting position or the side cutting position. Choose the suitable position for the working task (Fig.3B).
5. Try rotating or pulling the shaft to ensure the installation is secure; if not, reassemble it.
5. Tighten the wing knob firmly.

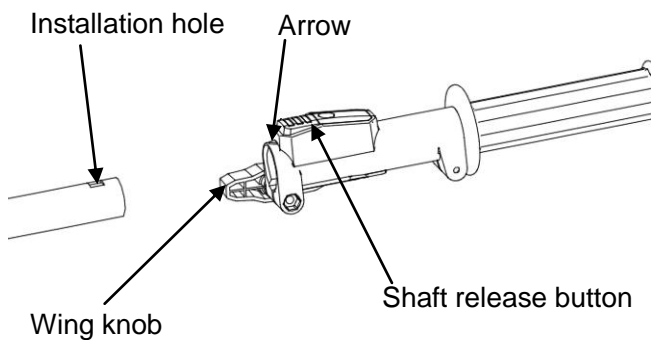


Fig.3A

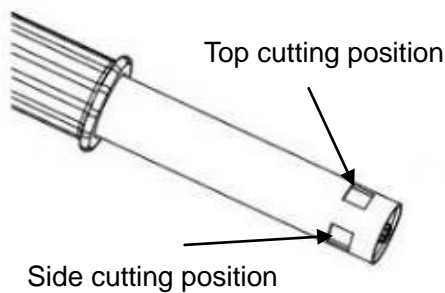


Fig.3B

### 6.3 Remove The Attachment From The Power Head

**⚠️WARNING:** Never attach or adjust attachments while the power head is running or with the battery installed. Failure to stop the motor and remove the battery may cause serious personal injury.

1. Stop the motor and remove the battery pack.
2. Loosen the wing knob to release the shaft.
3. Press the shaft release button, and meanwhile, pull the attachment shaft or extension pole out from the power head shaft and remove it. (Fig.3)

### 6.4 Connect The Extension Pole Between The Attachment And Power Head (Only For the Pole Hedge Trimmer And Pole Saw)

**⚠️WARNING:** Never attach or adjust attachments while the power head is running or with the battery installed. Failure to stop the motor and remove the battery may cause serious personal injury.

This extension pole is designed only for use with a Power Head and hedge trimmer attachment.

The extension pole extends the cutting range. It should be connected between the attachment and the power head.

To install the extension pole between the attachment and power head, follow the process in the section "Connect the attachment to the power head" (Fig. 5).

**⚠️NOTICE:** Once assembled correctly, the attachment, extension pole, and power head should not separate when pulled. Always test the connection by pulling on it. Repeat the steps above if the shaft can be separated.

**⚠️WARNING:** Make sure the tool is firmly secured before operation. As instructed above, failure to secure the attachment and power head/extension pole could result in serious injury or death.

**⚠️WARNING:** The extension pole is used only for the pole hedge trimmer. Remove the front assistant handle when using the pole hedge trimmer.

### 6.5 Safety guard assembly (For the Grass Trimmer)

**⚠️WARNING:** Never use the tool unless the safety guard is properly fitted.

**⚠️WARNING:** Always wear gloves when mounting or replacing the safety guard. Be careful of the blade on the safety guard and protect your hands from being injured by the blade.

1. Unscrew and remove the four bolts and washers from the guard.
2. Lift the trimmer head and face it upward. Align the four mounting holes in the guard with the four assembly holes at the base of the shaft. Ensure that the guard's internal surface faces towards the trimmer head. (Fig. 4A)

3. Lock the guard in place and screw the four bolts on with the washers (Fig. 4B).

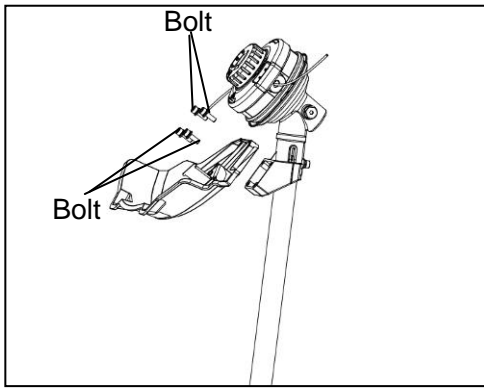


Fig. 4A

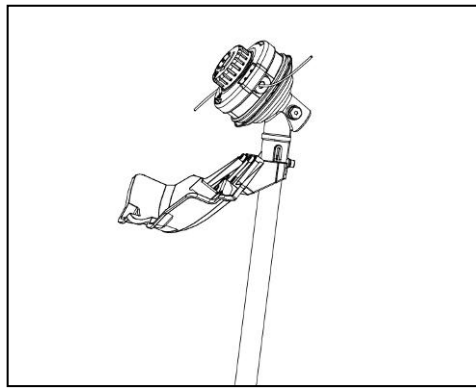


Fig. 4B

## 6.6 Mounting The Tip Protector (For the Hedge Trimmer)

1. Remove the nut, washer, and bushing from the bolt at the end of the blade with a hex wrench (not included) (Fig. 5A). Save them for reassembly.
2. Align the tip protector with the blade plug on the blade and mount it into place. Secure it with a new long bolt and nut and the saved washer, bushing and nut, as shown in Fig.5B.

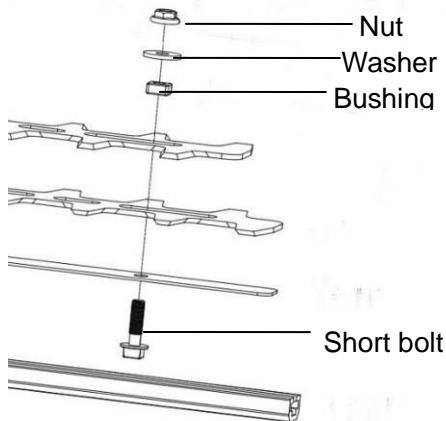


Fig.5A

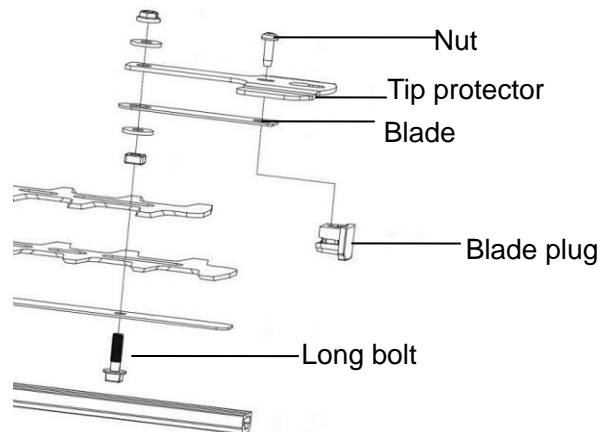


Fig.5B

## 6.7 Safety Guard Assembly (For the Brush Cutter)

**⚠ WARNING:** Never use the tool unless the safety guard is properly fitted.

**⚠ WARNING:** Always wear gloves when mounting or replacing the safety guard. Be careful of the blade on the safety guard and protect your hands from being injured by the blade.

1. Unscrew and remove the four bolts and washers from the guard.
2. Lift the trimmer head and face it upward. Align the four mounting holes in the guard with the four assembly holes at the base of the shaft. Ensure that the guard's internal surface faces towards the trimmer head. (Fig. 6)
3. Lock the guard in place and screw the four bolts on with the washers (Fig. 6).

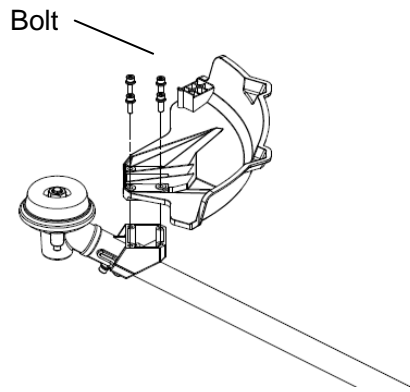


Fig. 6

### 6.8 Brush Cutter Blade Assembly (For the Brush Cutter)

**CAUTION:** The cutter blade must be sharp and free of cracks or breakage. Sharpen or replace the cutter blade every three hours of operation.

**CAUTION:** Always wear gloves when handling the cutter blade.

1. Remove the blade pressure plate, blade retainer, and nut that re-assemble the head and put the brush cutter blade and installation kit into position.
2. Press the locking pin and, at the same time, turn the nut clockwise with the wrench provided to assemble it. (Fig.7B/Fig. 7C)

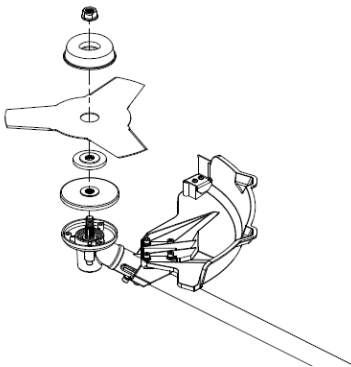


Fig. 7A

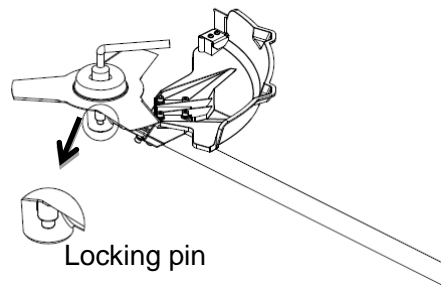


Fig. 7B

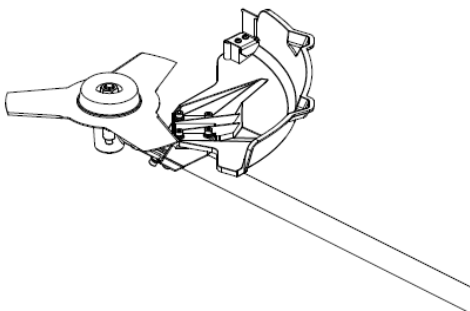


Fig. 7C

## 7. OPERATION

### INTENDED USE


**NOTE:** Use the correct power tool for your application. The correct power tool will do the job better and more safely at the rate for which it was designed. You may use this product for the purpose listed below:


Grass trimmer: Trimming grass and weeds from around porches, fences, and decks.


Brush cutter: Cutting weeds, scrub, brush, and similar vegetation.


Hedge trimmer: Trimming hedges, shrubs, scrub, bushes and similar material.


Edger: Lawn edging around walkways, curbing, flower beds and other similar areas.

 **WARNING:** Always exercise caution when using your pole saw, employing strict safety measures regardless of your experience or expertise.


 **WARNING:** Do not operate near electrical power lines. The unit has not been designed to provide protection from electric shock in the event of contact with overhead electric lines, Consult local regulations for safe distances from overhead electric power lines and ensure that the operating position is safe and secure before operating the saw chain pole pruner.

 **WARNING:** Always wear safety goggles or safety glasses with side shields during power tool operation.. Failure to do so could result in objects being thrown into your eyes and other possible serious injuries.

 **WARNING:** Only use the attachments recommended by the manufacturer. The use of attachments or accessories not recommended can result in serious personal injury.

 **WARNING:** Inspect the entire product for damaged, missing, or loose parts before each use. Tighten all fasteners and do not operate this product until all missing or damaged parts are replaced.


### 7.1 Installing and Removing The Battery Pack

 **WARNING: FULLY CHARGE THE BATTERY PACK BEFORE FIRST USE. CONNECT YOUR BATTERY PACK TO THE CHARGER. YOUR BATTERY MUST BE FULLY CHARGED BEFORE YOU USE YOUR PRODUCT**

**NOTE:** Battery Options

One 40Vd.c. battery pack, MWA562, MWA563 or MWA564, are inserted into the battery holder.

Two 20Vd.c. battery pack, MWA712 or MWA713 used combined with a converter, and then the converter inserted into the battery holder.

 **WARNING:** Always remove the battery pack from the product when you are assembling parts, making adjustments, cleaning, or when the tool is not in use. Removing the battery pack will prevent accidental starting that could cause serious personal injury.

### TO INSTALL THE BATTERY PACK:

1. Check to ensure that the power switch is set to off.
2. Align the ribs of the battery pack with the mounting slots in the battery port. Insert the battery pack into battery holder. (Fig.8 )
3. Ensure that the latch snaps into place and the battery feels secure.

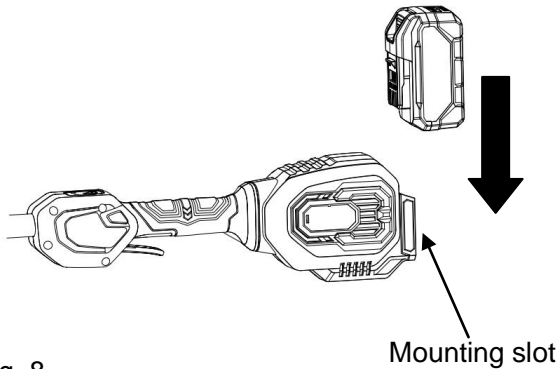


Fig. 8

### TO REMOVE THE BATTERY PACK:

**⚠ WARNING:** Put the tool on the ground before remove the battery pack. Serious injury could result if the battery pack falls. NEVER remove the battery pack at a high location.

1. Turn off your tool.
2. Press the battery-release button to disengage the battery from the latch. (Fig. 9)
3. Remove the battery from the power head.

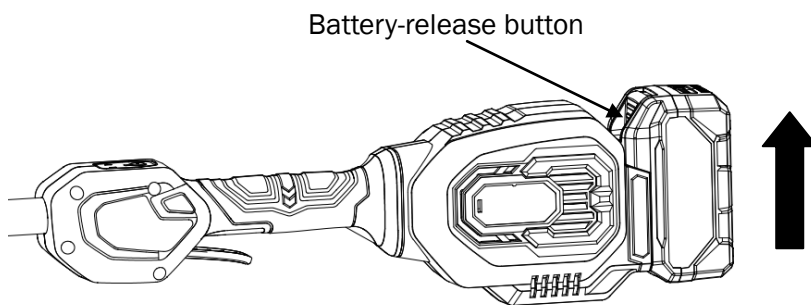


Fig. 9

### 7.2 To Start the Power Head

**⚠ WARNING:** Avoid overworking or overusing your power tool. Use the tool as intended to avoid damage to the machine or yourself.

**⚠ WARNING:** Only switch the motor on when your hands and feet are away from the cutting parts.

**⚠ WARNING:** Never operate the power head without an attachment.

1. Stand upright and hold the product as designed. Place one hand on each handle. Make sure the machine is not touching the ground or any other objects.
2. Press down the lock off button and hold it in that position, depress the trigger to turn on the tool. Release the lock off button and continue to squeeze the trigger for continued operation (Fig. 10).

**NOTE:** The cutting head continues to rotate for a few seconds after motor is switched off.

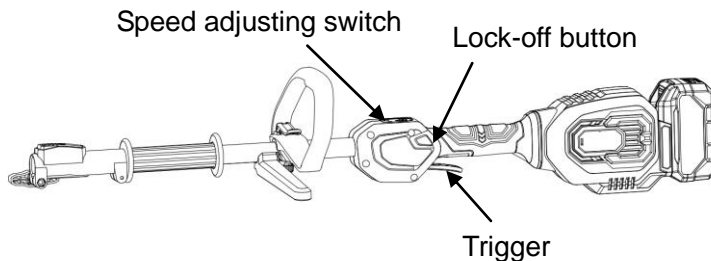


Fig. 10

### 7.3 Adjusting The Speed

1. The motor's rotational speed on your cordless tool can be adjusted with the speed adjustment switch.
2. Push the speed adjusting switch to "TURBO" or "ECON" to change the speed. (Fig.12)
3. Adjust the speed to suit the task. Do not overwork your machine.

### 7.4 To Stop the Power Head

Release the trigger to stop the power head.

**⚠ WARNING:** Always remove the battery pack from the power head during work breaks and after finishing work.

### 7.5 String Trimmer Operation

**⚠ WARNING:** To avoid serious personal injury, wear goggles or safety glasses at all times when operating this unit. Wear a face mask or dust mask in dusty locations. Do not wear loose clothing or jewellery. Wear heavy, long pants, boots and gloves.

**⚠ NOTICE:** Clear the area to be cut before each use. Remove all objects, such as rocks, broken glass, nails, wire, or string, that can be thrown or become entangled in the cutting attachment. Clear the area of children, bystanders, and pets. At a minimum, keep all children, bystanders and pets at least 100 feet (30.5m) away; Hold the string trimmer with one hand on the rear handle and your other hand on the front 'P' shape assistant handle. Keep a firm grip with both hands while operating the tool. The trimmer head should be parallel to the ground so that it easily contacts the material to be cut without the operator bending over. (Fig.11)

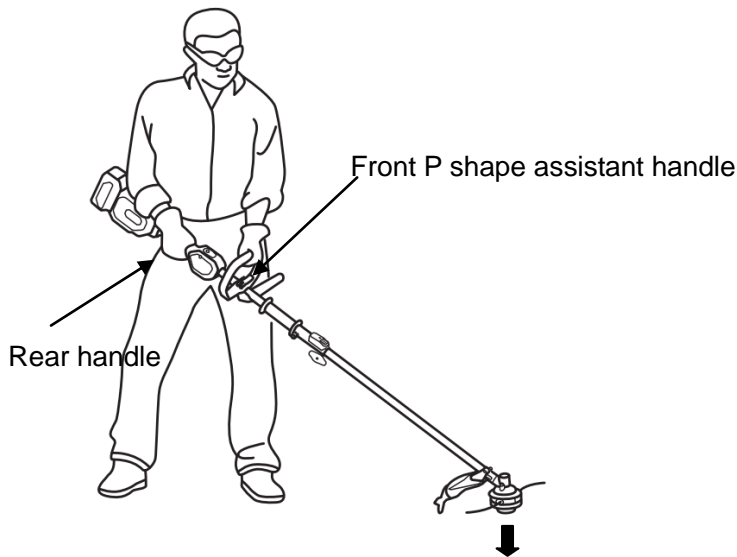


Fig.11

Tips for best trimming results:

1. **Always use your machine with the cutting attachment parallel to the ground.** The trimmer shaft should be at about a 35° angle from the ground.
2. **When starting, hold the machine at a safe distance from the ground.** Once the motor has started, you can begin to cut.
3. **Slowly swing your trimmer from left to right for best results.**
4. **Do not force the trimmer.** High grass should be cut in layers, beginning from top to bottom, in small increments.
5. **Do not cut damp or wet grass.**
6. **Avoid hitting the trimmer line against hard objects (stone, walls, fences, etc).** This will wear out the line and decrease the longevity of your machine.
7. **Avoid trees and shrubs.** Tree bark, wood mouldings, siding, and fence posts can be easily damaged, creating hazardous flying shrapnel.

**NOTE:** Excessive force or bashing the trimmer bump head on the ground to advance the cutting line will damage the bump head.

### 7.5.1 Changing of the cut-off head

**⚠ WARNING:** Remove the battery pack from the string trimmer before inspecting, cleaning, or performing Maintenance.

This string trimmer is equipped with a line cut-off blade on the guard. The line cut-off blade continuously trims the line to ensure a consistent and efficient cut diameter. Advance line whenever you hear the motor running faster than normal or when trimming efficiency diminishes. This will ensure the best possible performance and keep the line long enough to advance properly.

This trimmer comes set to a 16-inch cutting diameter. To adjust to a cutting swath to 14 inches.:

1. Remove the battery from the string trimmer.
2. Remove both screws on the cut-off blade with a hex wrench. (Fig. 12A)
3. Rotate the cut-off blade 180°. (Fig. 12A/Fig. 12B)

4. Re-assemble both screws in the blade. (Fig. 12B)

**Note:** Set the cut-off blade to 14 in. for a greater running time. Set the cut-off blade to 16 in. for a greater cutting area.

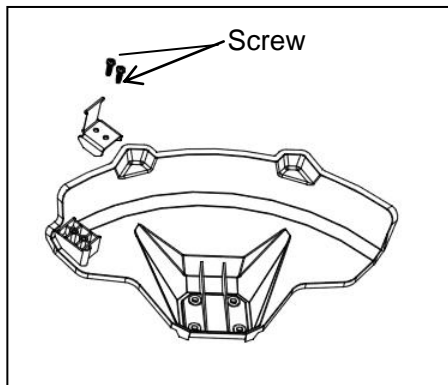


Fig. 12A

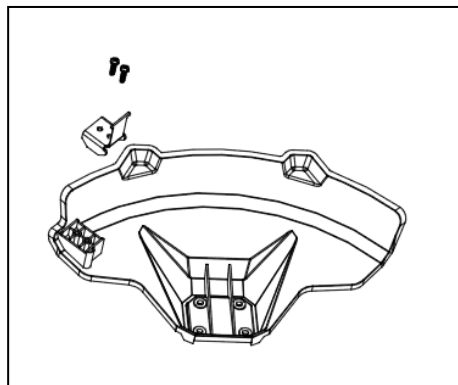


Fig. 12B

### 7.5.2 Cutting line advance

Your Cordless String Trimmer offers the ability to release the cutting line while the motor is running. Simply tap the bump knob on the ground to release frayed or worn line. (Fig. 13). Regularly check the condition of your line and release as needed to avoid malfunctions or overheating of your machine.

**! WARNING:** Do not remove or alter the line-cutting blade assembly. Excessive line length will cause the motor to overheat and may result in serious personal injury.

**! CAUTION:** For best results, tap the bump knob on bare ground or hard soil. Avoid doing so in areas with tall grass, which can get caught up in the cutting line. Always keep the trimming line fully extended. Line release becomes more difficult as the cutting line becomes shorter.

**! WARNING:** Do not use excessive force or bash the trimmer bump head on the ground. If the trimming line does not advance after tapping the bump head, the cutting line may have been used up. Alternatively, the cutting line may be tangled. Take out the battery and turn off your machine before checking for tangled line.



Fig. 13

**⚠️ WARNING:** To avoid serious finger injury, wear gloves when replacing the cut-off blade. Wear goggles in case there are rocks that can be thrown by the cutting line. Stop the motor and cutting attachment immediately. Check for damage to the trimming head and safety guard; replace them if necessary. There still may be risk to bystanders from thrown objects, if you are approached, stop the motor and cutting attachment immediately.

## 7.6 Pole Saw Operation

### 7.6.1 Add lubrication oil

**⚠️ NOTICE:** The pole saw is not filled with oil at the time of purchase. It is essential to fill the tank with chain oil before use.

**⚠️ WARNING:** Switch off and remove the battery from the machine before adjusting, storing, or cleaning. Keep in mind that the blades continue to move after the pole saw is switched off. Never touch the moving blades.

Before each use, check for enough chain oil inside the unit. Without the correct oil levels, your pole saw will not function properly. To lubricate your pole saw, follow the steps below.

**It is recommended to use a quality chain oil from your specialist dealer.**

1. Stop the motor and remove the battery pack.
2. Place the pole saw upright to ensure the oil tank cap faces upwards. Unscrew the oil tank cap and remove it. (Fig.16)
3. Fill the oil tank with chain oil. The oil level should be above the “MIN” limit and below the “MAX” limit. (Fig. 14)
4. Close the oil cap and secure it again.

**The device must be cleaned thoroughly if the oil has been spilt.**

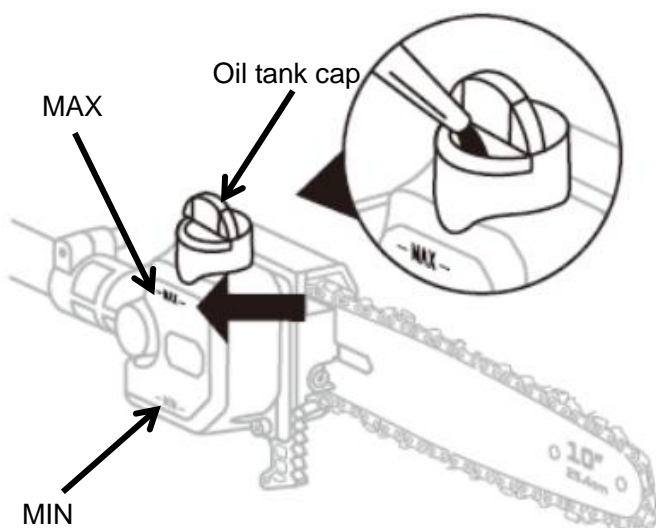



Fig.14


### 7.6.2 Checklist prior to every use

1. Ensure that the chain is mounted and tensioned correctly; refer to “Checking and adjusting the chain tension” in the maintenance section.
2. Check that the oil level is between “MIN” and “MAX”. Fill the tank if needed.
3. Make sure that the chain's cutting teeth are sharp.
4. Lubricate the chain if needed.
5. Make sure the chain is not touching the ground or any other objects.
6. Secure both hands with a firm grip.
7. Avoid cutting on uneven ground, and always make sure that you are well-balanced before starting your machine. Hold the pole saw in both hands with a sure grip.
8. Never stand directly under the limb you are cutting.
9. Make sure all the fasteners are secure.

### 7.6.3 To cut branches

 **WARNING:** Take great care when working close to overhead power lines. Falling branches can result in serious damage.

1. Position yourself so that you can make the cut at right angles to the branch. Hold the tool firmly in place to avoid possible bouncing or sideways movement of the tool.
2. Guide the tool through the branch using light pressure. If you force the cut, damage to the bar, chain, or motor can result.
3. Cut long branches in sections so that you have better control over where they fall. Pay attention to the fact that falling branches can bounce in the direction of the user after hitting the ground.
4. When cutting from the top of the limb, hold the bucking spikes against the limb being cut to provide support during cutting. This will help prevent the cutting attachment from bouncing on the branch.
5. When cutting heavy branches, where a partial cut may splinter and damage the tree, proceed as follows:
  - Never cut at the root of the branch as this will slow down healing. Make the first cut 150mm close to the main tree trunk on the underside of the limb before cutting through the branch. This will prevent the tearing of the bark, which could cause permanent damage to the tree. Cut 1/4 through the diameter of the limb.
  - Make a second cut from the top side of the limb, outboard from the first cut. Continue the cut through the limb until the limb separates from the tree.
  - Make a final cut close to the trunk from the top.
6. Make sure you have a firm footing and that you can work without being hampered by branches, stones and trees.
7. Release the trigger on the power head as soon as the cut is completed.

 **WARNING:** Fit the cutting guard and remove the battery pack after each operation.

### 7.6.4 Tips for Operation

This pole saw attachment is designed for cutting small branches. For best results, observe the following precautions.

1. Be aware of the direction in which the branch will fall. Branches may fall in unexpected directions and do not stand directly under the branch being cut.
2. Remove long branches in several stages so that you have better control over where they fall.
3. Work slowly, keeping both hands on the pole saw with a firm grip. Keep a good balance and a firm foothold. Make sure that you can move and stand safely. Check the area around you for possible obstacles (roots, rocks,

branches, ditches) if you have to move suddenly. Take great care when you work on sloping ground.

4. Do not cut from a ladder or climb in the tree. It's extremely dangerous.

5. Do not use the pole saw for felling or bucking.

7. Take great care when cutting a tree that is under tension. A tree that is under tension may spring back to its normal position before or after being cut. If you position yourself incorrectly or make the cut in the wrong place, the tree may hit you or the product and cause you to lose control. Both situations can cause serious personal injury.

8. Do not operate within 50 ft. (15m) of overhead electrical lines to prevent electrocution.

9. Ensure that no people or animals come closer than 15 m (50 ft.) while you work. When several operators work in the same area, the safety distance should be at least 15 m. Otherwise, there is a risk of serious personal injury. Stop the product immediately if anyone approaches. Never swing the product around without first checking behind you to make sure that no one is within the safety zone.

10. If you encounter a situation where you are uncertain how to proceed, you should ask an expert. Contact your dealer or your service workshop. Avoid all usage which you consider to be beyond your capability.

## 7.7 Hedge Trimmer Operation

### 7.7.1 Adjusting the hedge trimmer angle

The hedge trimmer is folded in a storage position when removed from the package(Fig.15A). Adjust the blade to a suitable working position before operation.

The trimmer head pivots 135° and can be locked into 10 positions within that range. The angle of the blade can be adjusted upwards to any of 4 positions from 0(straight) to 45 and downwards to any of 6 positions from 0 to 90° (Fig.15B).

1. Press the release trigger down, and meanwhile, rotate the adjusting lever to adjust the blade to the desired cutting position as required. (Fig.15C)

2. Release the release trigger, making sure the locking pin is engaged in the locking plate, which indicates that the trimmer head clicks into place.



**WARNING:** To reduce the risk of injury, remove the battery before making adjustments and make adjustments only when the blades are at a standstill. Never touch the blades while making adjustments.



**WARNING:** To reduce the risk of injury, always stop the tool, remove the battery, and cover the blade with the blade guard before moving the blade to the storage position or from the storage position to the normal working position.

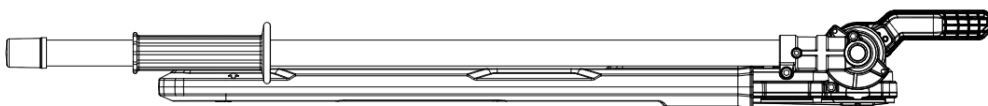


Fig. 15A

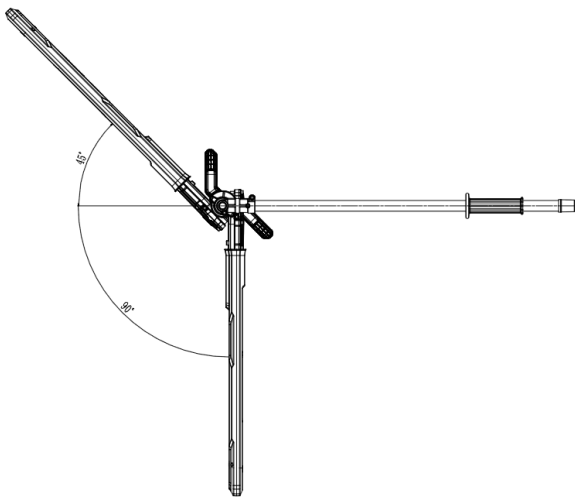


Fig. 15B

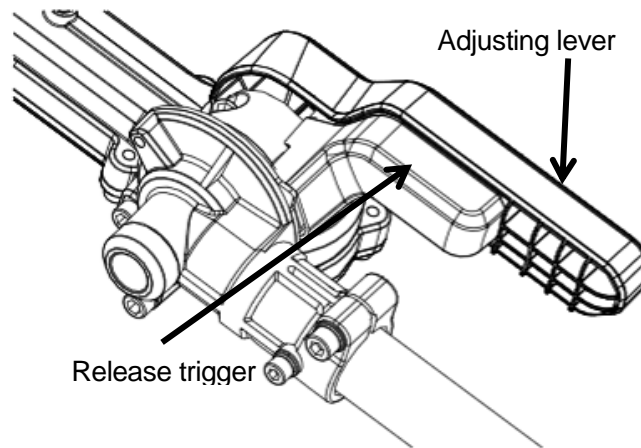


Fig. 15C

### 7.7.2 For hedge trimmer operation

**!NOTICE:** Adjust the blade to a suitable working position fit for working task before operation.

**!NOTICE:** The hedge trimmer can be attached in either the top cutting position or side cutting position. Choose the suitable position for working task.

**!NOTICE:** The hedge trimmer can be attached to the extension pole. Choose a suitable length for the working task.

1. Hold the unit near your body for a stable work position.
2. Make sure that the tip of the cutting equipment does not touch the ground.
3. Start near the ground and move the hedge trimmer up along the hedge when you cut the sides. Slightly tilt the tool (up to 15° relative to the line of cut) so that the blade tips point slightly towards the hedge. This will cause the blades to cut more effectively. Hold the tool at the desired angle and move it steadily along the line of cut. The double-sided blade allows you to cut in either direction.
4. To obtain a very straight cut, stretch a piece of string along the length of the hedge at the desired height. Use the string as a guideline, cutting just above it.
5. In order to obtain flat sides, cut upwards with the growth. Younger stems move outwards when the blade cuts downwards, causing shallow patches in the hedge.
6. Take care to avoid any foreign objects. Especially avoid hard objects such as metal wire and railings, as these could damage the blades.
7. Be careful and work slowly until all the branches are correctly cut.
8. When cutting overhead, hold the hedge trimmer vertically and slowly swing it in an arc to maximise its reach.

**!WARNING:** Any overhead working position is tiring. To minimise the risk of accidents, work in such positions for short periods only. Hold the hedge trimmer with one hand on the rear handle and your other hand on the front assistant handle. Keep a firm grip with both hands while operating the tool. Choose one of the front assistant handle suitable for you. (Fig. 16)

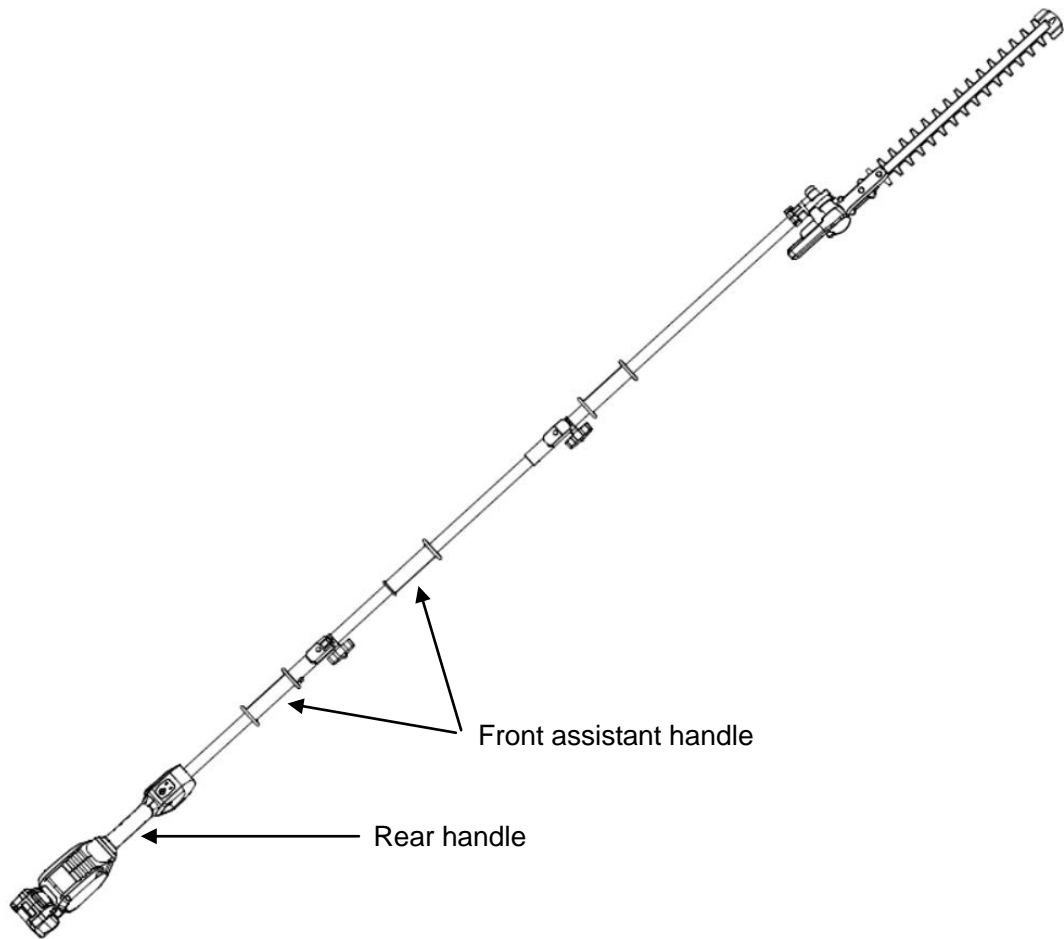


Fig. 16A

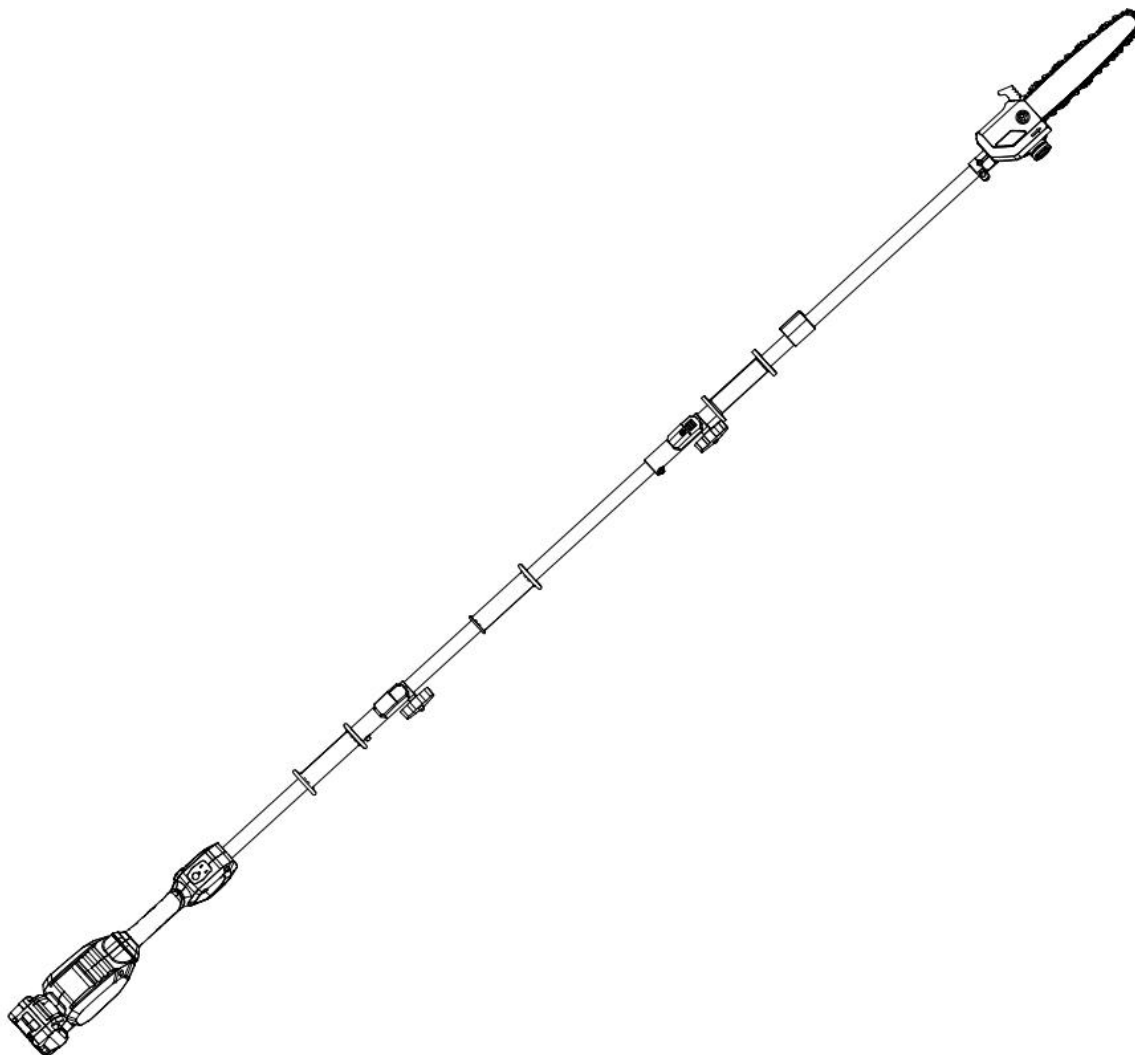


Fig. 16B

**⚠️ WARNING:** Branches may become entangled in the hedge trimmer blade. Stop the motor and cutting attachment immediately. To avoid serious finger injury, wear gloves when servicing the blade. To reduce the risk of electrical injury, do not operate near or under electrical power lines. There may still be a risk that the falling cut branches hit bystanders, if you are approached, stop the motor and cutting attachment immediately.

### 7.8 Lawn Edger Operation

**⚠️ WARNING:** To avoid serious personal injury, wear goggles or safety glasses at all times when operating this unit. Wear a face mask or dust mask in dusty locations.

**⚠️ WARNING:** Clear the area to be cut before each use. Remove all objects, such as rocks, broken glass, nails, wire, or string that can be thrown or become entangled in the cutting attachment. Clear the area of children, bystanders, and pets. At a minimum, keep all children, bystanders and pets at least 100 feet (30.5m) away.

**⚠️ WARNING:** To prevent serious personal injury, remove the battery pack from the tool before servicing, cleaning, changing attachments or removing material from the unit.

Hold the edger with your right hand on the rear handle and your left hand on the front assist handle. Keep a firm grip with both hands while operating the tool. The edger should be held at a comfortable position with the rear handle at about hip height.

### 7.8.1 Adjusting the wheel height

1. Stop the motor and remove the battery pack. Wait until the blade stopped.
2. Loosen the wheel adjusting knob (Fig. 17A).
3. Move the guide wheel, along the wheel adjusting guide bar slot, up to increase the depth of cut or down to decrease the depth (Fig. 17B).
4. Adjust the depth of the guide wheel so that the blade just touches the ground or breaks the surface of the soil by no more than 1/4" (5mm).
5. Tighten the wheel adjusting knob clockwise securely.

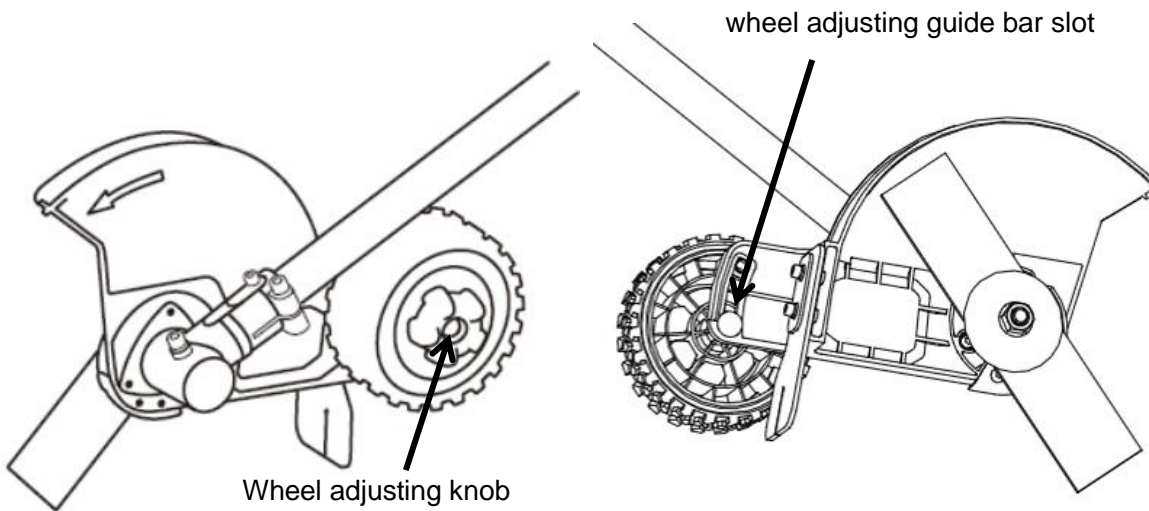


Fig. 17A

Fig. 17B

### 7.8.2 Operating tips

- Hold and guide the power head so that the blade is vertical.
- Walk slowly. Cut at a steady pace.
- Do not force the blade into the ground. Light contact of the blade against the sidewalk edge, curb, etc., is acceptable and will not damage the edger.
- Always walk forwards when cutting and move the edger forward. Do not pull the edger towards you.
- Avoid edging in wet soil or wet grass areas, the blade guard might clog and result in an uneven edge. If the blade guard becomes clogged, stop the motor, remove the battery pack, and remove debris from the blade guard.

Hold the edger with one hand on the rear handle and your other hand on the front 'P' shape assistant handle. Keep a firm grip with both hands while operating the tool. (Fig. 18)

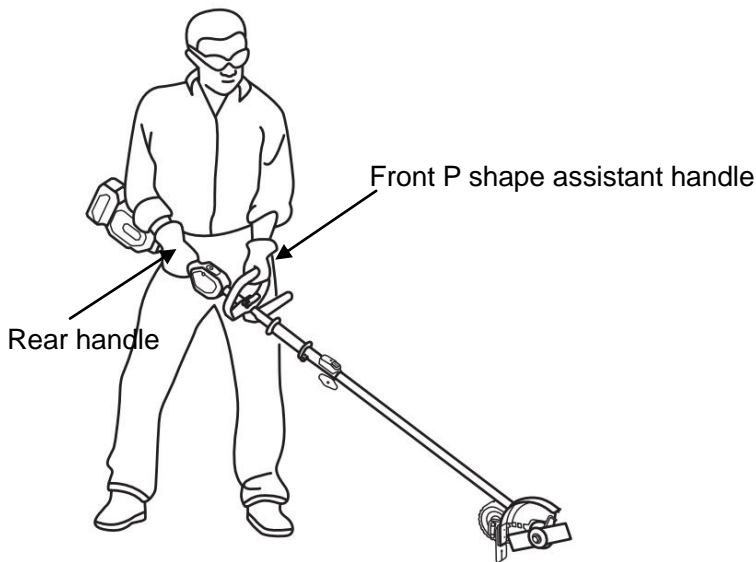


Fig. 18

**⚠️ WARNING:** There may be rocks that can be thrown or become entangled in the cutting attachment. Stop the motor and cutting attachment immediately. Check for damage for the blade and replace if necessary. There still may be risk to bystanders from thrown objects, if you are approached, stop the motor and cutting attachment immediately.

## 7.9 Brush Cutter Operation

Start the brush cutter before getting close to the brush to be cut.

Cut the brush by moving the machine from right to left and proceed slowly, keeping the machine inclined about 35°.

**⚠️ WARNING:** Always turn off the machine and make sure the cutting attachment has stopped before putting a brush cutter down. When transporting your brush cutter in a vehicle, properly secure it to prevent rolling, and damage to the brush cutter. Keep metal cutting tools covered with the transport guard (optional accessory)

**⚠️ WARNING:** Always check your brush cutter for proper condition and operation before starting, particularly the switch trigger, safety lock button, cutting blade, safety guard.

**⚠️ WARNING:** The switch trigger must move freely and always spring back to the idle position. The cutting tool must be properly tightened and in safe operating condition. Inspect for loose parts (nuts, screws, etc.) and for cracked, bent, warped or damaged blades.

Hold the brush cutter with one hand on the rear handle and your other hand on the front 'P' shape assistant handle. Keep a firm grip with both hands while operating the tool. The brush cutter head should be parallel to the ground such that it easily contacts the material to be cut without the operator having to bend over.(Fig. 19)

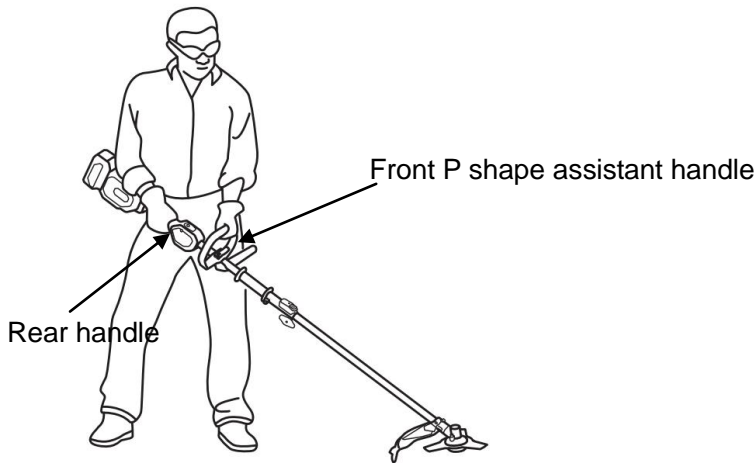


Fig.19

**⚠ WARNING:** The cutting blade is sharp. To avoid serious finger injury, wear gloves when servicing the blade. Wear goggles, as there may be rocks that can be thrown or become entangled in the cutting attachment. Stop the motor and cutting attachment immediately. Check for damage to the blade and safety guard, replace if necessary. There may be a risk to bystanders from thrown objects; if you are approached, stop the motor and cutting attachment immediately.

## 8. MAINTENANCE AND CLEANING

**⚠ WARNING:** Regular inspection is the most important step to proper maintenance. By following the guidelines below, you can maximise your pole saw's safety, durability, and effectiveness. Should you identify any damaged or excessively worn parts, replace them immediately.

**⚠ WARNING:** Remove the battery pack from the pole saw before inspecting, cleaning, or performing Maintenance.

**⚠ WARNING:** When servicing, use only identical replacement parts and accessories.

**⚠ WARNING:** Never let petroleum-based products, penetrating oils, etc., come in contact with plastic parts.

**NOTICE:** For repairs and service, please work with an authorised service dealer

### 8.1 General Maintenance

Avoid using solvents when cleaning plastic parts. Most plastics are susceptible to damage from various types of commercial solvents and may be damaged by their use. Use clean clothes to remove dirt, dust, oil, grease, etc.

**⚠ WARNING:** Do not at any time let brake fluids, petroleum-based products, penetrating oils, etc., come in contact with plastic parts. Chemicals can damage, weaken or destroy plastic, resulting in serious personal injury.

## 8.2 Cleaning the Power Head

**⚠ WARNING:** Do not immerse in water or other liquids when cleaning the power head.

1. Turn off your machine and remove the battery pack.
2. Clear any grass that may have wrapped itself around the motor shaft.
3. Clean dirt and debris from the power head using a damp cloth with a mild detergent.
4. Do not use any strong detergents on the plastic housing or the handle. They can be damaged by certain aromatic oils, such as pine and lemon, and by solvents, such as kerosene.
5. Completely dry your machine before use. A damp machine presents a shock hazard.

## 8.3 String Trimmer Maintenance

### 8.3.1 Replacing the cutting line

**⚠ NOTICE:** This model uses a nylon line with a diameter of 0.9 inches (2.3mm).

**⚠ WARNING:** Never use line which has not been approved for this machine. Metal-reinforced line, wire, and rope will not function properly with your machine.

**NOTE:** The cutting line is about 4.4 yards (4m) in length.

1. Align the arrow on the bump knob with the one on the spool cartridge. (Fig. 20A)
2. Insert the cutting line into the eyelet that is marked "LINE IN" on the spool. (Fig. 20A)
3. The line's end appears in the spool's opposite eyelet. Pull both ends of the line until they are of equal length.
4. Hold the line cartridge with one hand and turn the bump knob counterclockwise with the other hand until both ends are approximately 6 inches long. (Fig. 20B)

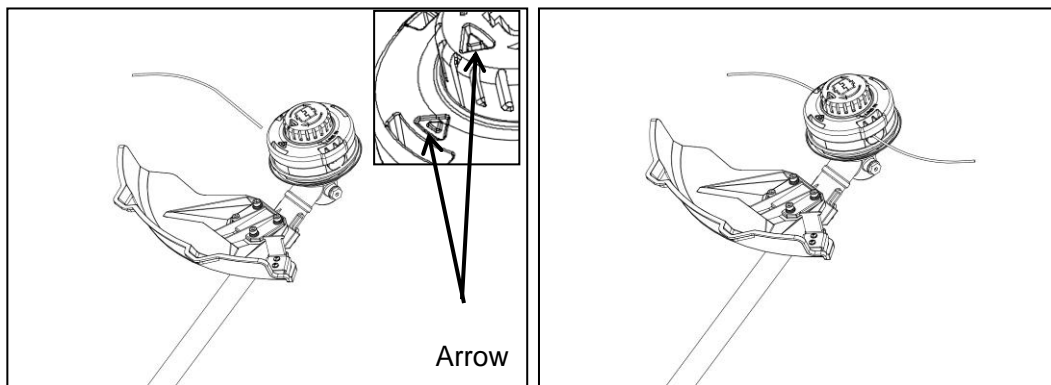


Fig. 20A

Fig. 20B

### 8.3.2 Cutting line re-assembly

1. If the cutting line is stuck inside the cartridge, detach the cartridge and re-assemble the cutting line.
2. Press the cap release latch on the cap and lift it out of the spool holder (Fig. 21).
3. Remove the line cartridge and take the line out of the cartridge.
4. Re-assemble the cartridge and assemble the cutting line as part 8.3 describes.

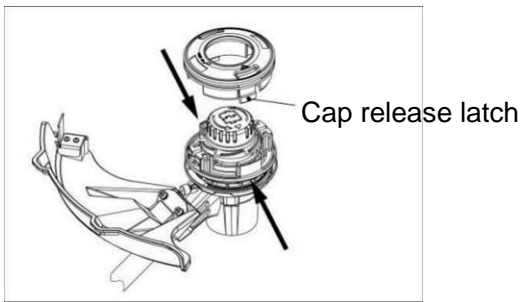


Fig. 21

### 8.3.3 Replacing the trimmer head

1. The line cartridge on your string trimmer is fully disposable. If the cartridge has been damaged, detach the trimmer head and dispose of it properly. You may then attach a replacement cartridge.
2. Press the locking pin and turn the cartridge counterclockwise to remove it. (Fig. 22)
3. Press the locking pin and turn the trimmer head clockwise to assemble it. (Fig. 22)

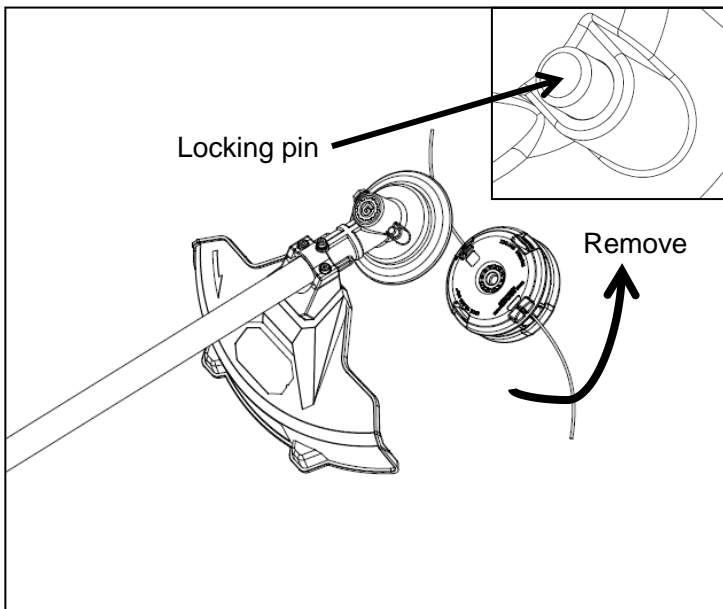


Fig. 22

### 8.3.4 Transmission gears lubrication

The transmission gears in the gear case need to be lubricated periodically with gear grease. Check the gear case grease level about every 50 hours of operation by removing the sealing screw on the side of the case. If no grease can be seen on the sides of the gear, follow the steps below to fill with gear grease up to 3/4 capacity.

Do not completely fill the transmission gear case.

1. Hold the string trimmer on its side so that the sealing screw is facing upwards (Fig. 23).
2. Use the hex wrench provided to loosen and remove the sealing screw.
3. Use a grease syringe (not included) to inject some grease into the screw hole, taking care not to exceed 3/4 capacity.
4. Tighten the sealing screw after injection.

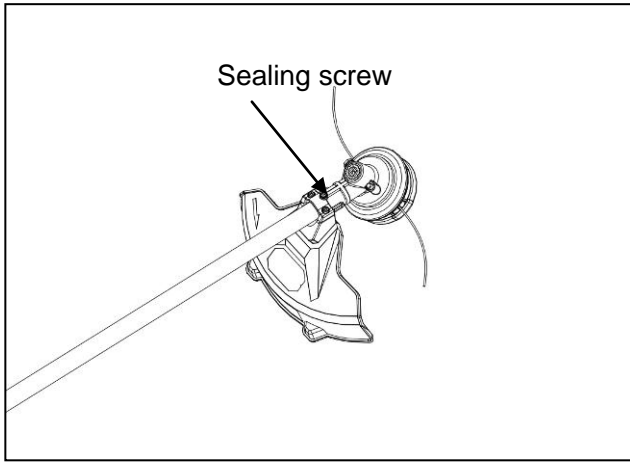


Fig. 23

## 8.4 Pole Saw Maintenance

### 8.4.1 Check before each use

**Handles:** Front and rear handles should not have cracks or other damage. They should be cleaned and dried to ensure a firm grip.

**Guide Bar:** The guide bar should be straight and free of chips, cracks, or excessive wear.

**Saw Chain:** The chain should be properly tensioned, and all components should be free of cracks, chips, or excessive wear.

**Side Cover:** The side cover should be free of cracks or other damage. It should fit tightly to the pole saw body with no warping.

**Battery Pack:** The battery pack should be clean and dry, with no signs of puncture, impact, or other damage. The contacts should be clean, dry and free of debris.

**Battery Holder:** The battery holder should be clean, dry, and free of debris.

**Oil Level:** Fill the oil reservoir before use. Your oil level should always be between the “MIN” and “MAX” lines.

**Motor Cover:** Check for cracks in the cover and debris in the air intake vents.

### 8.4.2 Cleaning the pole saw

**⚠ WARNING:** Do not immerse in water or other liquids when cleaning the pole saw.

1. Turn off your machine and remove the battery pack.
2. Clean debris from the chain and guide bar with a soft brush. Wipe the pole saw surface with a clean cloth moistened with a mild soap solution.
3. Remove the chain-sprocket cover, and then use a soft brush to remove debris from the guide bar, saw chain, sprocket and chain-sprocket cover.
4. Remove branch chips and other debris from the battery holder. Make sure the contacts are clean and dry.
5. Wipe down the power head with a clean cloth moistened with a mild soap solution. Never use harsh cleaners or solvents.
6. Always clean out chips, sawdust, and dirt from the guide bar groove when replacing the saw chain.
7. Do not use any strong detergents on the plastic housing or the handle. They can be damaged by certain aromatic oils, such as pine and lemon, and by solvents, such as kerosene.
8. Completely dry your machine before use. A damp machine presents a shock hazard.

### 8.4.3 Replacing the bar and chain

**⚠ WARNING:** Remove the battery pack and ensure that the pole saw has completely stopped before performing maintenance or inspecting your pole saw for damages.

**⚠ WARNING:** Do not touch the bar or chain with your hands directly. Wear gloves or wrap the bar/chain in a thick cloth.

**⚠ NOTICE:** Always use the specified bar and chain recommended by the manufacturer when replacing parts.

**⚠ NOTICE:** Make sure there are no cracks in rivets, links and cutters and no rivets are loose; replace them if necessary. Make sure that the saw chain is easy to bend. Replace the saw chain if it is rigid.

#### DISASSEMBLING THE WORN BAR AND CHAIN

1. Turn your tool off, remove the battery pack and allow the pole saw to cool. Put on protective gloves.
2. Make sure the oil tank cap is firmly closed.
3. Position the pole saw attachment on its side on a firm, flat surface so that the chain-sprocket cover faces upwards (Fig. 24).
4. Loosen the cover screw with the socket wrench provided and remove it from the sprocket cover.
5. Remove the sprocket cover from the pole saw attachment.
6. Remove the bar along with the chain and release the used chain from the bar. Make sure the bar pad and sprocket are free of debris.

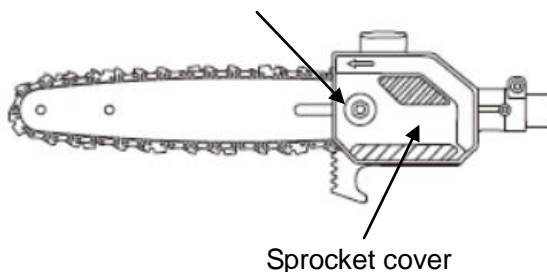


Fig. 24

#### INSTALL NEW GUIDE BAR AND SAW CHAIN

**⚠ WARNING:** Wear gloves throughout assembly.

1. Place a new chain in the slot of the guide bar, making sure the saw teeth are facing the correct direction by matching the arrow on the guide bar. (Fig. 25A/25B)
2. Place the saw chain around the sprocket with the cutting teeth corresponding to the direction of the symbol on the housing. (Fig. 25C)
3. Insert the sprocket cover and make sure the cover is securely seated.
4. Tighten the cover screw to secure the sprocket cover with the socket wrench provided.

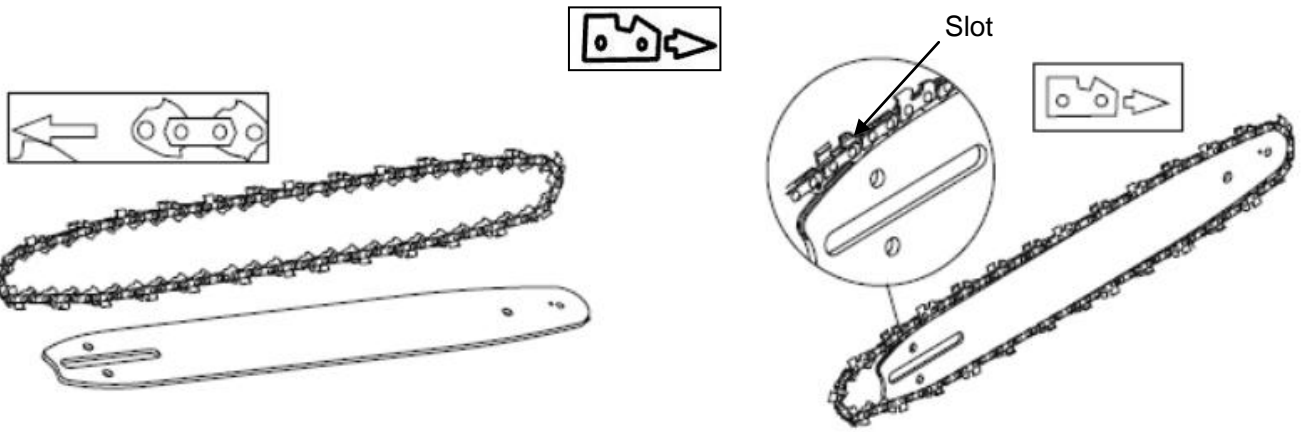


Fig . 25A

Fig . 25B

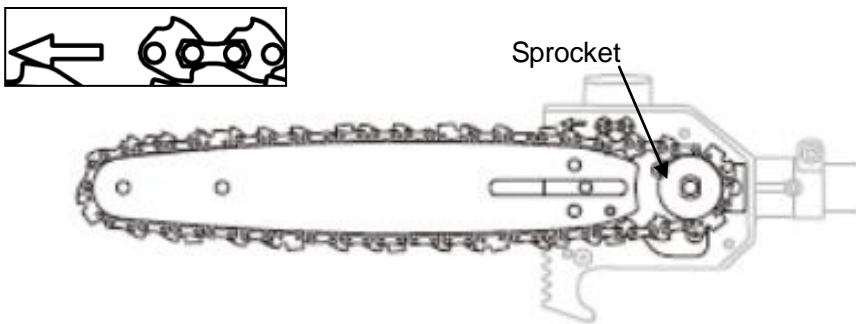


Fig. 25C

#### 8.4.4 Checking and adjusting the chain tension

**⚠ WARNING:** Always remove the battery pack from the product when you are assembling parts, making adjustments, cleaning, or whenever the pole saw is not in use.

**⚠ WARNING:** The saw chain must be properly tensioned before use.

**⚠ WARNING:** Do not over-tension the chain, as this will lead to excessive wear and will reduce the life of the bar and chain.

**⚠ WARNING:** When the saw chain is new, check the tension frequently during the first two hours of use, as a new saw chain stretches slightly.

Check the saw chain tension. The tension is correct when the saw chain snaps back after being pulled away 3 mm from the saw chain bar with light force from the middle finger and thumb. There should be no 'sag' between the guide bar and the saw chain on the underside. (Fig. 26A)

To adjust the tension:

1. Turn your pole saw off, remove the battery pack, and wear protective gloves.
2. Loosening the cover screw.
3. Turn the chain tension screw **clockwise** with the socket wrench provided when the tensioning of the chain is too low, or turn the chain tension screw **anticlockwise** when the tensioning of the chain is too strong. (Fig. 26B)

4. Check the tension level by pulling the chain 3mm away from the guide bar with light force. If there is no “sag” between the guide bar and the chain on the underside, your chain is at the correct level of tension.
5. Once the chain tension is correct, tighten the cover nut.

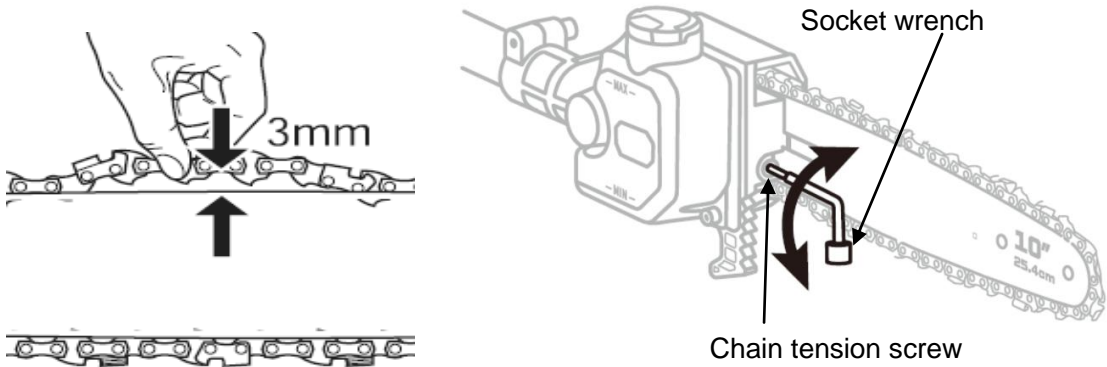


Fig . 26A

Fig . 26B

### 8.4.5 Transmission gears lubrication

The transmission gears in the gear case need to be lubricated periodically with gear grease. Check the gear case grease level about every 50 hours of operation by removing the sealing screw on the side of the case. If no grease can be seen on the sides of the gear, follow the steps below to fill with gear grease up to 3/4 capacity.

Do not completely fill the transmission gear case.

1. Position the pole saw attachment on a firm, flat surface so that the sealing screw is facing upwards (Fig. 27).
2. Use the hex wrench provided to loosen and remove the sealing screw.
3. Use a grease syringe (not included) to inject some grease into the screw hole, taking care not to exceed 3/4 capacity.
4. Tighten the sealing screw after injection.

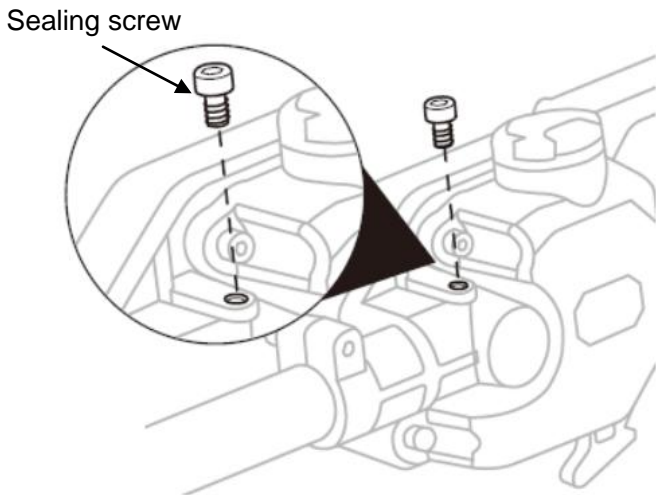


Fig. 27

### 8.4.6 Chain maintenance

**⚠ WARNING:** Always remove the battery pack from the product when you are assembling parts, making adjustments, cleaning, or whenever the pole saw is not in use.

**⚠ WARNING:** Wear protective gloves whenever maintaining your pole saw.

- A properly sharpened saw chain does not require high-pressure levels to complete the task.
- Never use a dull or damaged saw chain. A dull saw chain cutter can increase physical strain and dangerous flying shrapnel.
- If the teeth on your chain have become damaged or dull, have them sharpened by a qualified service dealer.

**!NOTICE:** When replacing the chain, it is important to regularly inspect the drive sprocket for wear and damage. If damage is found, have the drive sprocket replaced by a qualified service technician.

## 8.5 Hedge Trimmer Maintenance

### 8.5.1 Replacing the blade

**!WARNING:** Remove the battery pack and ensure that the hedge trimmer has completely stopped before performing maintenance or inspecting your hedge trimmer for damages.

**!WARNING:** Do not touch the blade with your hands directly. Wear gloves or wrap the blade in a thick cloth.

**!NOTICE:** Always use the specified accessory the manufacturer recommends when replacing parts.

#### To remove the worn blade:

1. Stop the motor and remove the battery pack. Wait until the blade stops.
2. Adjust the blade to the horizontal position, ensuring that the blade assembly is in line with the hedge trimmer shaft, and put the gearbox cover upwards(Fig. 28A).
3. Loosen the 6 short screws in the gearbox cover with a 4mm hex wrench (not included) and store them for re-assembly.
4. Loosen the 2 long screws and remove the wool felt, pressing plate and two gaskets for re-assembly.
5. Remove the bearing and lining plate under the gearbox cover, and store them for re-assembly.
6. Carefully remove the connecting rod from the blade.
7. Remove the blade assembly from the tool and replace it with a new one.

#### To assemble a new blade:

1. Align the two holes in the new blade assembly with the screw hole inside the gearbox assembly.
2. Mount the two gaskets, pressing plate, and wool felt into place.
3. Keep the holes in the blade, the gaskets, and the holes in the pressing plate, wool felt in line with the screw holes in the gear case. Install the 2 long screws into the aligned holes and tighten them securely (Fig.28B).
4. Check whether the blade can move freely.
5. Align the connecting rod with the rivet in the blade, and install the connecting rod into place. (Fig.28C).
6. Align the hole of the lining plate and bearing with the bulge in the cam, ensuring that the plate is exactly located in the centre, parallel to both edges.
7. Mount the gearbox cover onto the gear case and secure it with 6 short screws (Fig. 28C).
8. Start the hedge trimmer to check whether it can work normally, if it does not, reassemble it following the above steps.

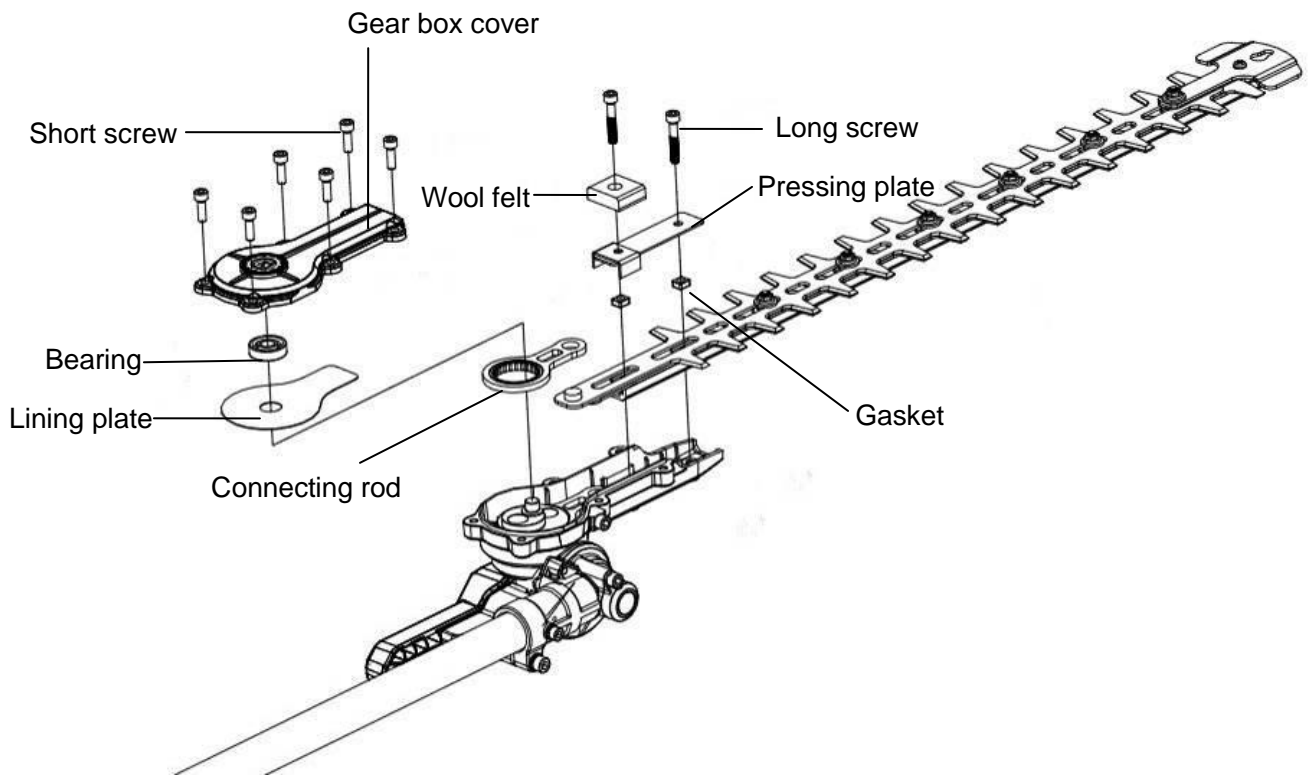


Fig. 28A

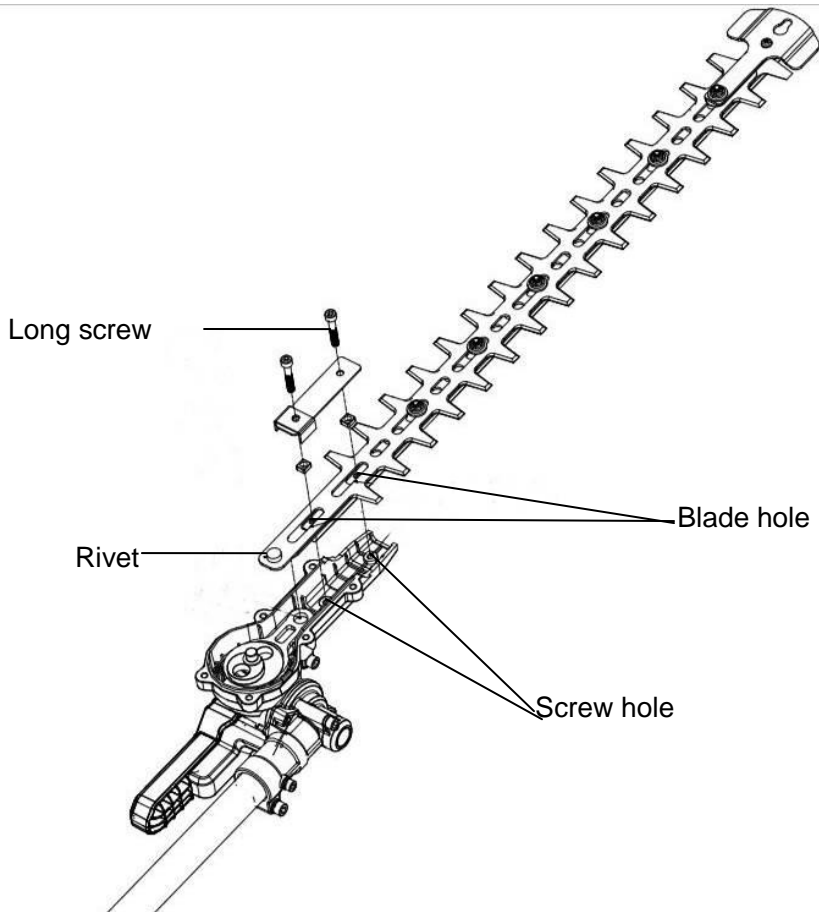


Fig. 28B

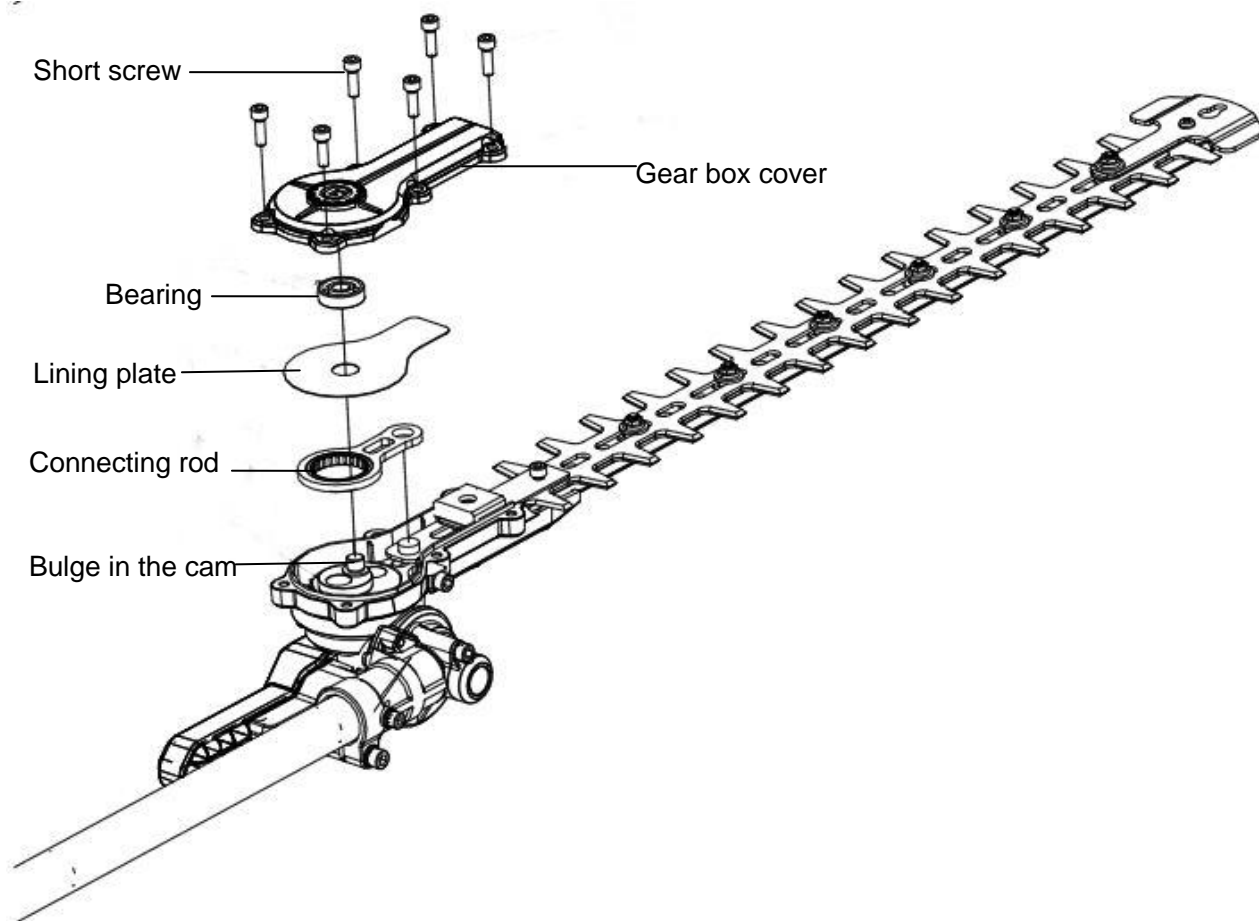


Fig. 28C

### 8.5.2 To examine the cutter blade

**! WARNING:** Remove the battery pack and ensure that the hedge trimmer has completely stopped before performing maintenance.

**! WARNING:** Do not touch the blade with your hands directly. Wear gloves or wrap the blade in a thick cloth.

1. Clean the cutter blades from unwanted materials with an anti-corrosion cleaning agent before and after you use the product.
2. Examine the edges of the cutter blade for damages and deformation.
3. Use a file to remove burrs on the cutter blade. It is recommended to have the blades re-sharpened by a qualified service technician.
4. Make sure that the cutter blades move freely.

**! NOTICE:** Do not operate your hedge trimmer with dull or damaged blades. This may cause overload and will give unsatisfactory cutting results.

### 8.5.3 To clean and lubricate the cutter blade

**⚠ WARNING:** Remove the battery pack and ensure that the hedge trimmer has completely stopped before performing maintenance.

**⚠ WARNING:** Do not touch the blade with your hands directly. Wear gloves or wrap the blade in a thick cloth.

1. Clean the blades from unwanted materials before and after you use the product.
2. To prevent rust, it is recommended to lubricate the blades with anti-rusting oil before long periods of storage.

**Note:** Speak to your servicing dealer for more information about recommended cleaning agents and lubricants.

### 8.5.4 Transmission gears lubrication

**⚠ WARNING:** Remove the battery pack and ensure that the hedge trimmer has completely stopped before performing maintenance.

**⚠ WARNING:** Do not touch the blade with your hands directly. Wear gloves or wrap the blade in a thick cloth.

The transmission gears in the gear case need to be lubricated periodically with gear grease. Check the gear case grease level about every 50 hours of operation by removing the sealing screw on the side of the case. There are three sealing screws: one on the side and two on the top. If no grease can be seen, follow the steps below to fill with gear grease up to 3/4 capacity.

Do not completely fill the transmission gear case.

1. Lay the hedge trimmer on the ground and make sure the sealing screw to be removed is facing upwards (Fig. 29A /29B).
2. Use the hex wrench provided to loosen and remove the sealing screw.
3. Use a grease syringe (not included) to inject some grease into the screw hole; do not exceed 3/4 capacity.
4. Tighten the sealing screw after injection.

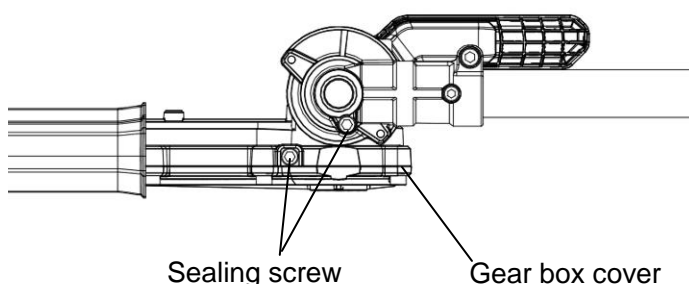


Fig. 29A

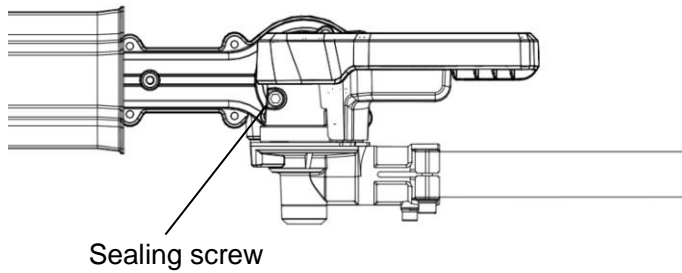


Fig. 29B

## 8.6 Lawn Edger Maintenance

### 8.6.1 Replacing the blade



**WARNING:** Always be sure that the tool is switched off and the battery pack is removed before working on it. Failure to switch off and remove the battery pack may result in serious personal injury from accidental start-up.



**WARNING:** Never start the tool unless it is completely assembled. Operation of the tool in a partially assembled state may result in serious personal injury from accidental start-up.



**CAUTION:** Do not attempt to straighten or weld a bent or cracked blade. Such a blade may break, and it must be replaced. We recommend replacing it only with the correct edger blade.



**CAUTION:** Always wear gloves when handling the edger blade.

#### Remove the blade:

1. Stop the motor and remove the battery pack. Wait until the blade stops.
2. Put the edger on a flat surface, with the blade facing you.(Fig. 30A)
3. Rotate the blade to align the slot in the blade guard with the hole in the down-pressing plate.
4. Insert the hex wrench provided into the hole to act as a stabiliser and loosen the nut with the socket wrench provided.(Fig. 30B)
5. Remove the nut, protective cover, upper pressing plate, blade and down pressing plate from the motor shaft (Fig. 30C). Check and replace them if they are worn.

#### Installing the blade:

1. Position the down-pressing plate on the motor shaft. Install the new blade, upper pressing plate, protective cover, and nut on the motor shaft.
2. Rotate the blade to align the slot in the blade guard with the hole in the down-pressing plate.
3. Insert the hex wrench provided into the aligned holes to act as a stabiliser. Use the socket wrench provided to tighten the nut COUNTERCLOCKWISE securely onto the shaft.

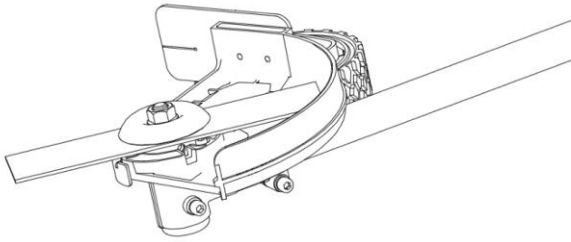


Fig. 30A

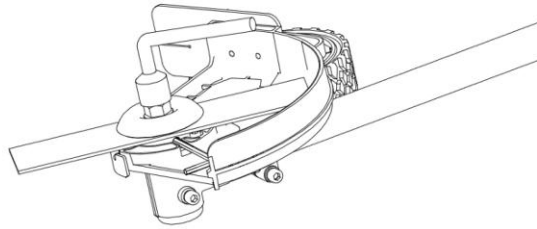


Fig. 30B

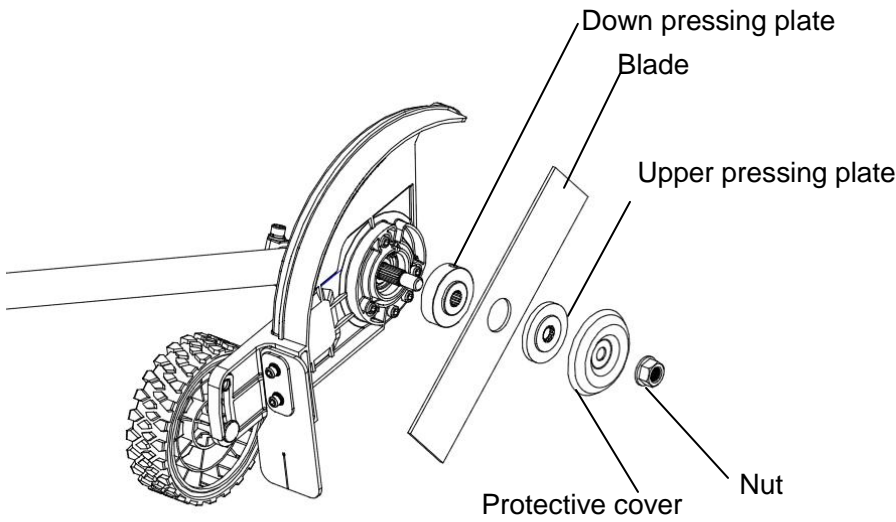


Fig. 30C

### 8.6.2 Replacing the wheel



**WARNING:** Always be sure that the tool is switched off and the battery pack is removed before carrying out any work on the tool.



**WARNING:** Never start the tool unless it is completely assembled. Operation of the tool in a partially assembled state may result in serious personal injury from accidental start-up.



**CAUTION:** Always wear gloves.

1. Stop the motor and remove the battery pack. Wait until the blade stops.
2. Put the edger on its back on a flat surface so the guide wheel faces upwards. Make sure the blade doesn't touch any rigid surface.
3. Loosen the wheel, adjust the knob, and remove it. (Fig. 31)
4. Remove the cap nut, wheel adjusting knob, washer 1, wheel, bushing, and washer 2 from the bolt. Check and replace them if they are worn. (Fig. 31)
5. Insert the bolt through the wheel adjusting guide bar slot first, and then mount the washer 2, bushing and new wheel, then mount the washer 1, wheel adjusting knob and cap nut onto the bolt.
6. Tighten the wheel adjusting knob to secure the wheel.

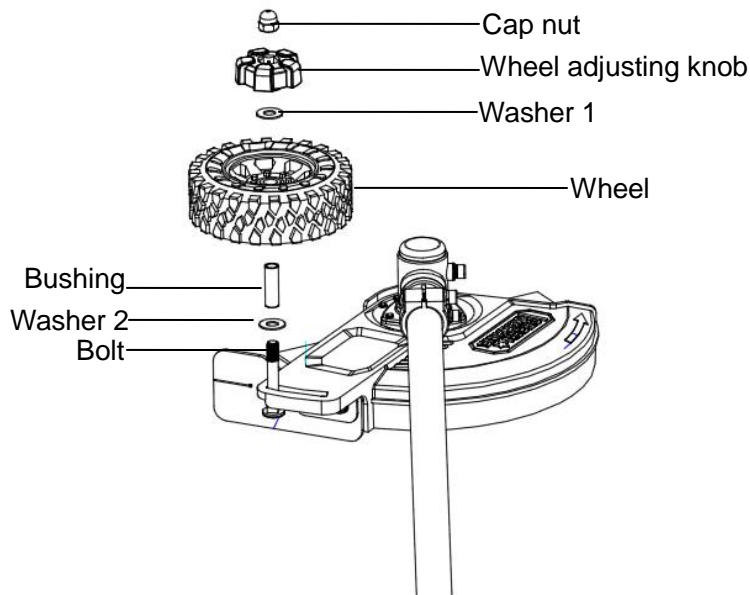


Fig. 31

### 8.6.3 Replacing the debris flap

**WARNING:** Always ensure the tool is switched off and the battery pack is removed before working on it.

**WARNING:** Never start the tool unless it is completely assembled. Operation of the tool in a partially assembled state may result in serious personal injury from accidental start-up.

**CAUTION:** Always wear protective gloves.

1. Stop the motor and remove the battery pack. Wait until the blade stops.
2. Loosen the two screws with the hex wrench provided.
3. Remove the screws, fixing board and worn debris flap (Fig. 32).
4. Install a new debris flap and lock it with the fixing board and the two screws.
5. Tighten the two screws with the hex wrench provided securely.

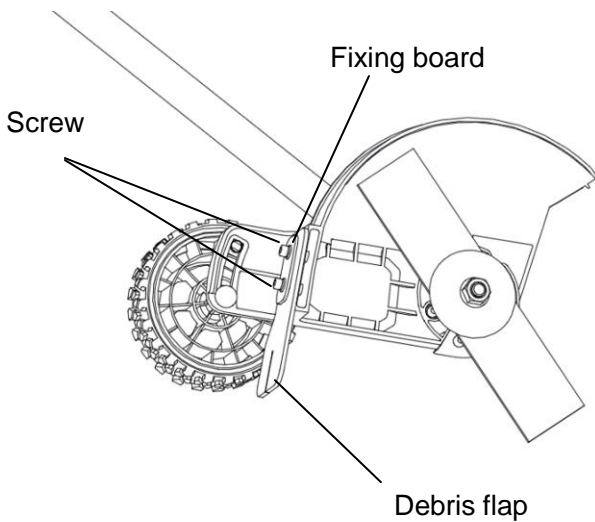


Fig. 32

## 8.6.4 Replacing the anti-wear protective plate



**WARNING:** Always ensure the tool is switched off and the battery pack is removed before working on the tool.



**WARNING:** Never start the tool unless it is completely assembled. Operation of the tool in a partially assembled state may result in serious personal injury from accidental start-up.



**CAUTION:** Always wear protective gloves.

The center of the blade guard may touch the soil in the process of operation. It is protected by an anti-wear protective plate from wear. Check the anti-wear protective plate for damage before operation. (Fig. 33)

1. Stop the motor and remove the battery pack. Wait until the blade stops.
2. Wear protective gloves. Rotate the blade as necessary to expose the two screws for loosening.
3. Use the hex wrench provided to loosen the two screws and remove them from the unit.
4. Replace the worn anti-wear protective plate with a new one.
5. Assemble the new anti-wear protective plate onto the centre of the blade guard and lock them with the two screws.
6. Tighten the two screws with the provided hex wrench.

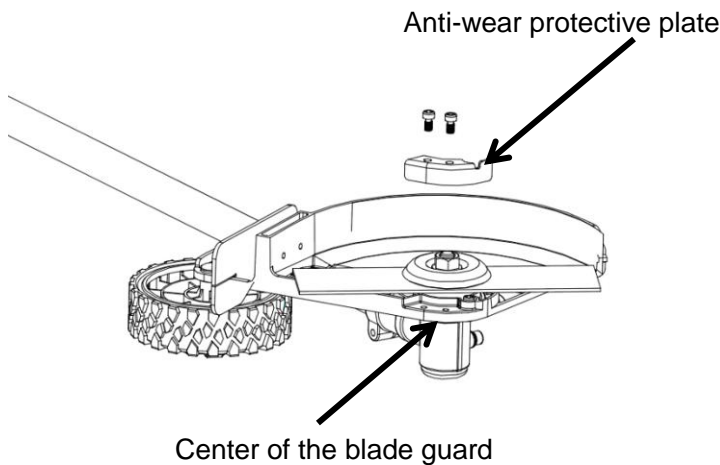


Fig. 33

## 8.6.5 Transmission gears lubrication

The transmission gears in the gear case need to be lubricated periodically with gear grease. Check the gear case grease level about every 50 hours of operation by removing the sealing screw on the side of the case.

If no grease can be seen on the sides of the gear, follow the steps below to fill with gear grease up to 3/4 capacity.

Do not completely fill the transmission gear case.

1. Position the edger upright so that the sealing screw is facing upwards (Fig. 34).
2. Use the hex wrench provided to loosen and remove the sealing screw.
3. Use a grease syringe (not included) to inject some grease into the screw hole; do not exceed 3/4 capacity.
4. Tighten the sealing screw after injection.

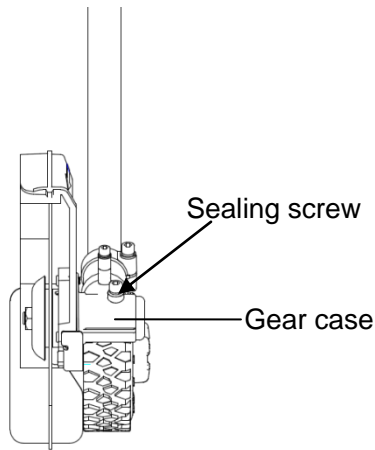


Fig. 34

## 8.7 Brush Cutter Maintenance

### 8.7.1 Replacing the blade



**WARNING:** Always be sure that the tool is switched off and the battery pack is removed before working on it. Failure to switch off and remove the battery pack may result in serious personal injury from accidental start-up.



**WARNING:** Never start the tool unless it is completely assembled. Operation of the tool in a partially assembled state may result in serious personal injury from accidental start-up.



**CAUTION:** The cutter blade must be sharp, free of cracks or breakage. Sharpen or replace the cutter blade every three hours of operation.



**CAUTION:** Always wear gloves when handling the cutter blade.

1. Remove the blade pressure plate, blade retainer, and nut from the head and put them into position. (Fig. 35A)
2. Replace the blade with a new one.
2. Press the locking pin and, at the same time, turn the nut clockwise with the wrench provided to assemble it. (Fig. 35B/ Fig. 35C)

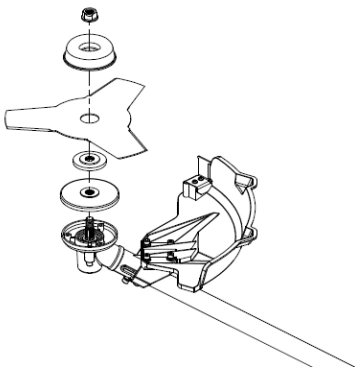


Fig. 35A

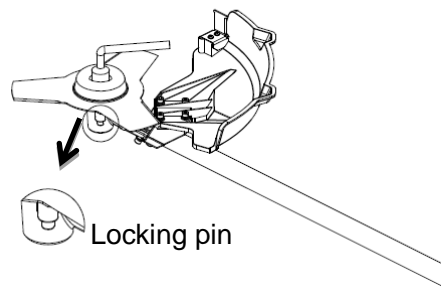


Fig. 35B

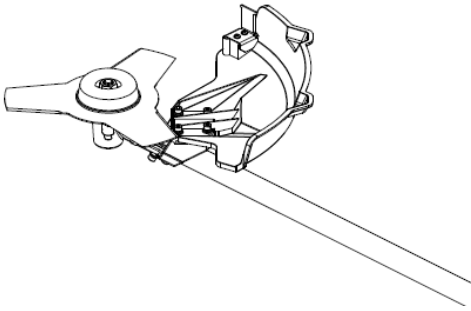


Fig. 35C

### **8.8 Transporting And Storing**

1. Do not store or transport the power unit while it is running. Always remove the battery pack before storing or transporting it.
2. Always exercise caution to avoid the sharp blade, even when your machine is turned off.
3. Always place the blade guard on the blade before storing or transporting. Use caution to avoid the sharp teeth of the blades. Fold the hedge trimmer to its storage position.
4. Clean the unit thoroughly before storing it.
6. If the attachment is removed from the power head and stored separately, fit the tube protective cap on the attachment shaft to prevent dirt from getting into it.
7. Clean all foreign material from the power unit.
8. Store the unit in a dry, well-ventilated area, secured, out of the reach of children. Do not store the unit on or adjacent to fertilisers, petrol, or other chemicals
9. Avoid corrosive agents such as garden chemicals and deicing salts.

## 9. TROUBLESHOOTING

The following chart lists problem symptoms, possible causes and corrective action if your garden product does not operate properly. If these do not identify and correct the problem, contact our service centre.

**⚠ WARNING:** Switch off and remove the battery prior to any troubleshooting.

PROBLEM	PROBABLE CAUSE	CORRECTIVE ACTION
The appliance fails to start	The battery is not secure	To secure the battery pack, make sure the battery pack snaps into place.
	Battery is depleted	Charge the battery pack.
	Possible wiring or electrical contact problems	Remove the battery, check the contacts and re-install the battery pack.
	The lock-off button is not pressed before pressing the trigger switch.	Press down the lock-off lever and hold it, then press the trigger to turn on the power unit.
	The blade is jammed.	Remove the battery pack from the tool. Carefully remove the obstruction, reinsert the battery, and restart the tool.
	The attachment is not well connected with the power head.	Disconnect the attachment from the power head and reconnect it following the section "CONNECTING THE ATTACHMENT TO THE POWER HEAD" in this manual.
The appliance stops while cutting	The motor is overloaded	Remove the trimmer head from the grass. As soon as the load is removed, the motor will begin to work.
	The battery pack or the unit is too hot	Allow the battery pack or the unit to cool down
	The battery pack is disconnected	Re-install the battery pack.
	Battery is depleted	Charge the battery pack according to the instructions.
	The Saw chain is bound to the branch.	Release the switch trigger, remove the saw chain and guide bar from the branch, and then restart the pole saw.

	Debris inside sprocket cover.	Remove the battery pack, then remove the sprocket cover and clean out debris.
The motor runs, but the chain does not rotate	Chain not engaging drive sprocket	Reinstall the chain, making sure the drive links are fully seated on the sprocket. For installation instructions, see "Maintenance and Cleaning" in this manual.
Trimmer head does not advance line	The motor shaft or trimmer the head is clogged with grass	Stop the trimmer, remove the battery, and clean the motor shaft and trimmer head.
	There is not enough line on the spool	Remove the battery and replace the cutting line; follow the section "REPLACING THE LINE" in this manual.
	The trimmer head is dirty	Remove the battery and clean the trimmer head.
	The line is tangled on the spool	Remove the battery, remove the line from the spool and rewind, follow the section "CUTTING LINE RE-ASSEMBLY" in this manual
	The line is inside the line cartridge	Remove the battery, remove the line from the spool, and rewind. Then, follow the section "CUTTING LINE RE-ASSEMBLY" in this manual.
Pole saw does not cut properly	Insufficient chain tension.	See "Checking and adjusting the chain tension" in this manual.
	The chain was installed backwards.	See "Replacing the Bar and Chain" in this manual.
	Worn chain.	Replace the chain.
	Dry or excessively stretched chain	Check the oil level. Refill the oil tank if necessary. Check for a clogged oil system. A small amount of oil should be delivered to the bar.
	The chain is not in the bar	See "Replacing the Bar and Chain" in

	groove.	this manual.
Bar and chain running hot and/or smoking.	Chain tension overtightened.	See "Checking and adjusting the chain tension" in this manual
	The oil tank is empty.	Fill the oil into the oil tank.
	Debris in the guide bar groove.	Stop the chainsaw, remove the battery, and clean the debris.
Uneven edge	Grass or the soil edged is too wet	Avoid edging in wet soil or wet grass
	The blade guard is clogged	Stop the motor, remove the battery pack, and remove debris from the blade guard.
Excessive vibration or noise	Dry or corroded blades	Lubricate the blades
	Blades or blade support is bent	Replace with a new blade or support following the section "REPLACING THE BLADE" in this manual or contact the service centre for replacement.
	Bent or damaged teeth.	Replace with a new blade following the section "REPLACING THE BLADE" in this manual or contact the service centre for replacement.
	Loose blade bolts.	Tighten the blade bolts. Using a 3mm hex wrench (not included), turn the bolt clockwise to tighten.

## 10. WARRANTY

This product is warranted in accordance with legal regulations for a 24-month period effective from the date of purchase by the first user.

This product will not be covered if used in a commercial application.

This warranty covers all material or production failures; it does not include: defects from normal wear and tear, parts such as bearings, brushes, cables, air cleaning elements, brake pad, clutch disc, tyre, wheel, recoil starter rope, belts, cutter blades, plugs, lubricant oils and grease or accessories. Damage or defects resulting from abuse, accidents or alterations, natural fading of painted or plated surfaces, sheet peeling and other natural deterioration.

Any damage that occurs from the use of non-genuine Cobra parts will not be covered.

We reserve the right to reject any claim where the purchase cannot be verified or when it is clear that the product was not maintained properly. (Clean ventilation slots, carbon brushes and serviced regularly)

Expenses incidental to the warranty claim that are not covered;

-Compensation for loss of time, commercial loss or rental costs of a substitute product.

-Costs incurred for transportation to and from the dealership.

Any damage that occurs from the following will not be covered; exposure of the product to smoke and soot, chemical agents, bird droppings or other animal waste, seawater, sea breeze, salt or other environmental phenomena. Any damage resulting from operating methods other than those indicated in the owner's manual will not be covered.

Your purchase receipt must be kept as proof of the date of purchase. Your un-dismantled tool must be returned to your dealer in an acceptably clean state, accompanied by your proof of purchase.

### **Please Register Your Cobra**

If your dealer did not collect registration information from you, please take a few minutes and register your purchase with Cobra. You can register by completing the online registration at:


[www.cobragarden.co.uk](http://www.cobragarden.co.uk) and click on Product Registration.

## 11. ENVIRONMENTALLY FRIENDLY DISPOSAL



According to EU directive 2012/19/EU on electric and electronic equipment and its implementation into national law, all electric tools must be separately collected and environmentally friendly recycled. Alternative disposal: If the owner of the power tool does not return the tool to the manufacturer, he is responsible for proper disposal at a designated collection point that prepares the device for recycling according to national recycling laws and regulations. This does not include accessories and tools without electric or electronic components.

## 12. EC-DECLARATION OF CONFORMITY

<b>EC Declaration of Conformity</b>	
We herewith declare,	Cobra Garden Machinery Henton & Chattell Ltd, London Road, Nottingham NG2 3HW UK
That the following machine complies with the appropriate basic safety and health requirements of the EC Directive based on its design and type, as brought into circulation by us.	
In case of alteration of the machine, not agreed upon by us, this declaration will lose its validity	
Product	Multi-function tool
Machine Type:	MT40VX (MWA649) (for power head) MT40VXEXT (MWA601) (for extension pole) MT40VXGT (MWA602) (for grass trimmer) MT40VXPR (MWA603) (for pole saw) MT40VXHT (MWA604) (for pole hedge trimmer) MT40VXLE (MWA605) (for lawn edger) MT40VXBC (MWA640) (for brush cutter)
Rated voltage/power	40Vd.c.
Measured sound power level:	93.33 dB(A) for grass trimmer 101.64 dB(A) for pole saw 92.17 dB(A) for brush cutter 88.65 dB(A) for pole hedge trimmer 96.96 dB(A) for lawn edger
Guaranteed sound power level:	96 dB(A) for grass trimmer 104 dB(A) for pole saw 94 dB(A) for brush cutter 91 dB(A) for pole hedge trimmer 100 dB(A) for lawn edger
Applicable EC Directives:	<b>2014/30/EU</b> <b>2006/42/EC</b> <b>2000/14/EC</b> <b>2011/65/EU</b>
Applicable Harmonized Standards:	EN 62841-1; EN 62841-4-2; ISO 11789; ISO 12100 IEC 62841-4-4:2020/FprAA:2021; EN ISO 11680-1; EN ISO 22867, EN ISO 22868, EN 55014-1, EN 55014-2
Authorized Signature/Date/ Place:	12/01/2025  Peter Chaloner Nottingham NG2 3HW UK
Title of Signatory:	Managing Director
Name and address of the person authorised to compile the technical file	Cobra Garden Machinery Henton & Chattell Ltd, London Road, Nottingham NG2 3HW UK